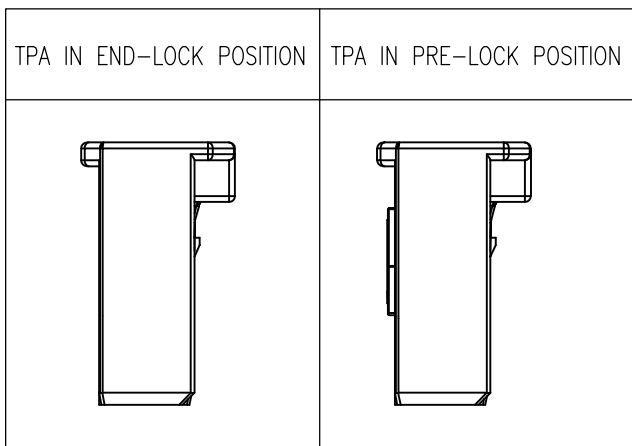
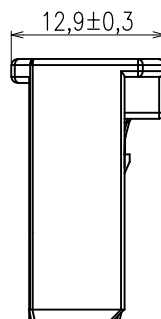
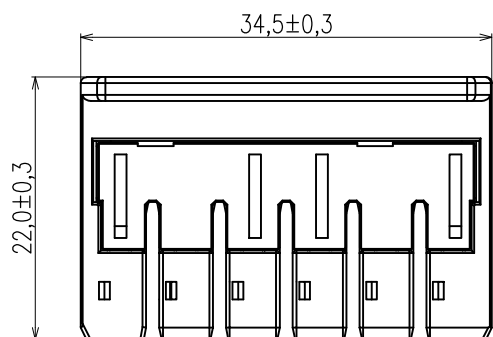
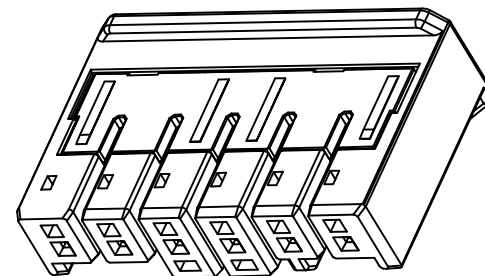
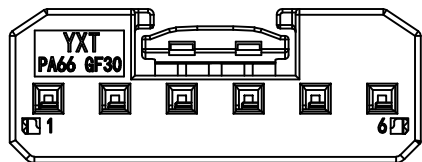


RoHS




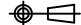
REV.	ECR	DESCRIPTION	DATE	REVISOR	CHECKED	APPROVED
X1		RELEASE				
X2		ADD PART NUMBER CODE				

- MATERIAL  
INSULATOR: HIGH TEMPERATURE PLASTIC, UL94V-0,ORANGE,
- SPECIFICATIONS:  
2.1 OPERATING TEMPERATURE: -40°C ~ +105°C.  
2.2 RATED OPERATION. VOLTAGE:1500V DC

PART NUMBER CODE:

HV15 - A W H 0 06 - N J 00  
 1 2 3 4 5 6 7 8 9

- SERIES HV15
- A: CODE A
- W: WIRE
- H: HORIZONTAL
- 0: SINGLE ROW
- 06: PIN NUMBER
- N: PLASTIC MATERIAL
- J: COLOR:ORANGE
- OTHER

DRAWN	DATE	GENERAL X. ±0.38 .X ±0.25 .XX ±0.13 .XXX ±0.05	ANGLES X' ±3.0' .X' ±2.0' .XX' ±1.0'	 YXT 益鑫通精密电子有限公司 YXT Precision Electronics Co.,Ltd.		
Menger	2023.02.02					
DESIGN	DATE	GENERAL TOLERANCES UNLESS OTHERWISE SPECIFIED			TITLE	
CHECKED	DATE				HV15 SINGLE ROW Connector	
APPROVED	DATE	 UNIT: mm	SIZE A4	P/N	HV15-AWH006-NJ00	
CUSTOMER DRAWING	SHEET 1 OF 1	SCALE 1:1	REV. X2	DWG NO.	C-HV15-1W01-001	