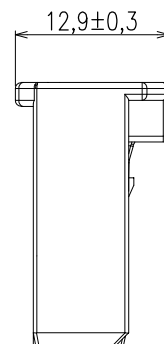
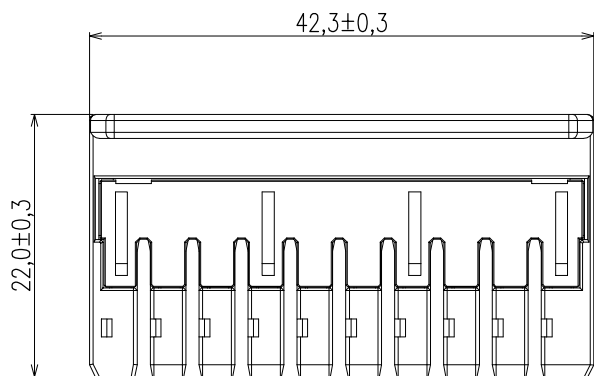
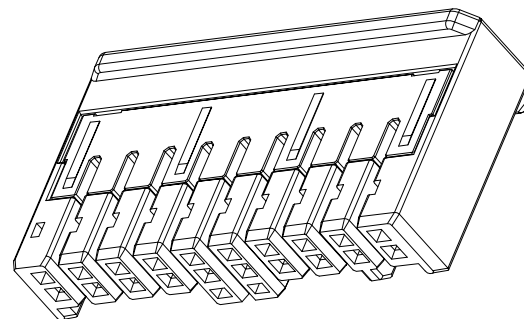
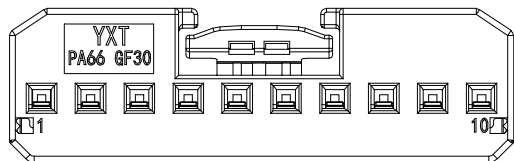


RoHS

REV.	ECR	DESCRIPTION	DATE	REVISOR	CHECKED	APPROVED
X1		RELEASE				
X2		ADD PART NUMBER CODE				

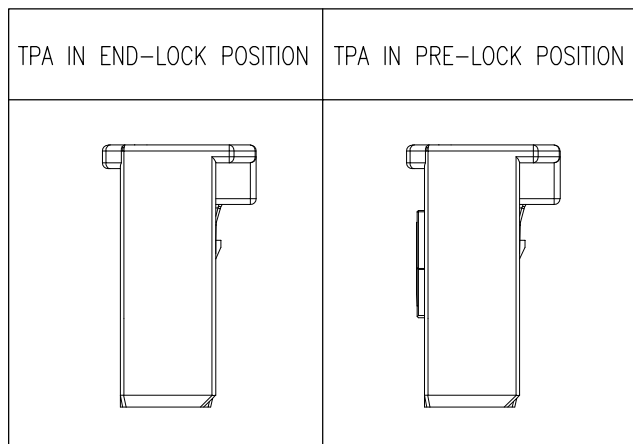


- 1. MATERIAL
INSULATOR: HIGHT TEMPERATURE PLASTIC, UL94V-0,ORANGE,
- 2. SPECIFICATIONS:
2.1 OPERATING TEMPERATURE: -40°C ~ +105°C.
2.2 RATED OPERATION. VOLTAGE:1000V DC

PART NUMBER CODE:

HV10 - A W H 0 10 - N J 00
 1 2 3 4 5 6 7 8 9

- 1. SERIES HV10
- 2. A: CODE A
- 3. W: WIRE
- 4. H: HORIZONTAL
- 5. 0: SINGLE ROW
- 6. 10: PIN NUMBER
- 7. N: PLASTIC MATERIAL
- 8. J: COLOR:ORANGE
- 9. OTHER



DRAWN	DATE	GENERAL X. ±0.38 .X ±0.25 .XX ±0.13 .XXX ±0.05	ANGLES X' ±3.0' .X' ±2.0' .XX' ±1.0'	YXT 益鑫通精密电子有限公司 YXT Precision Electronics Co.,Ltd.		
Menger	2023.02.02					
DESIGN	DATE	GENERAL TOLERANCES UNLESS OTHERWISE SPECIFIED			TITLE	
CHECKED	DATE				HV10 SINGLE ROW Connector	
APPROVED	DATE	UNIT: mm	SIZE A4	P/N	HV10-AWH010-NJ00	
CUSTOMER DRAWING	SHEET 1 OF 1	SCALE 1:1	REV. X2	DWG NO.	C-HV10-1W01-001	