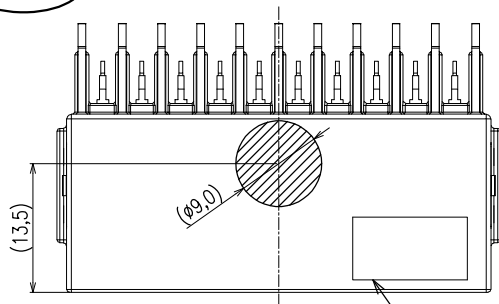
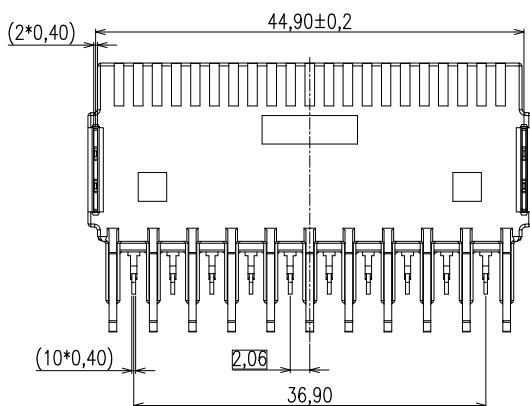
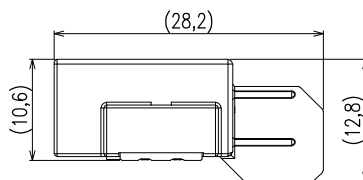
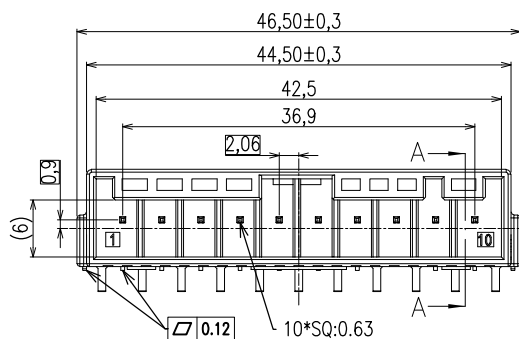
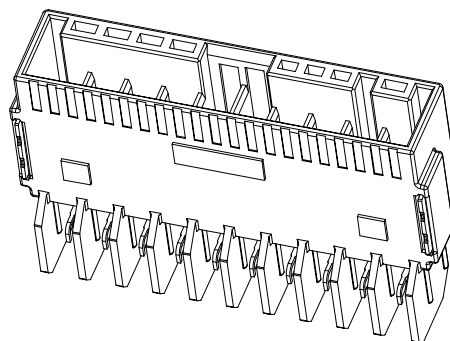
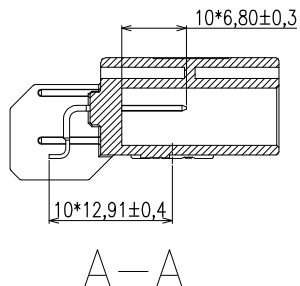


RoHS

REV.	ECR	DESCRIPTION	DATE	REVISOR	CHECKED	APPROVED
X1		RELEASE				
X2		ADD PART NUMBER CODE				



PLASTIC MATERIAL  
INFORMATION LOCATION

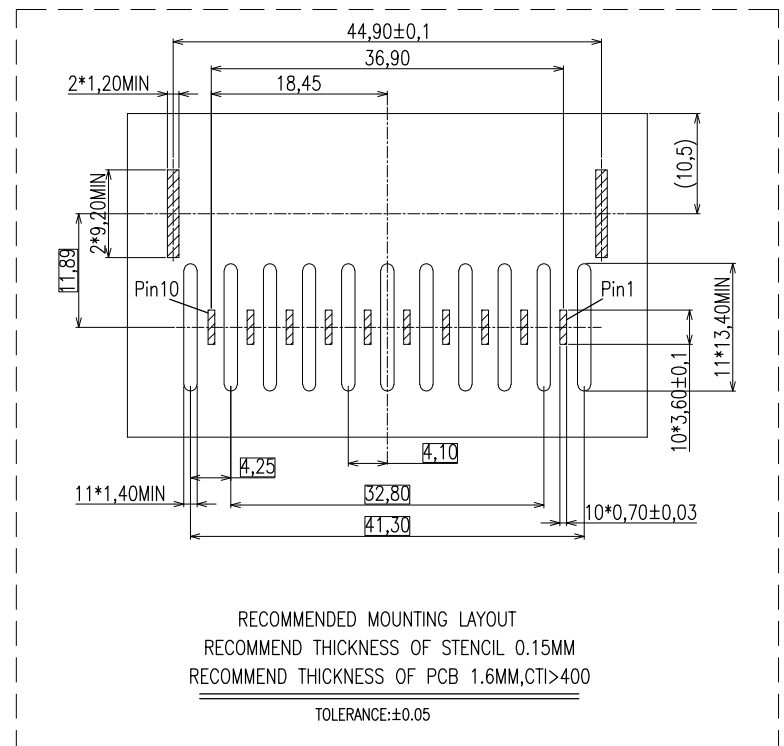



PART NUMBER CODE:

HV10 - A B H S O 10 - A J SN - 00  
 1 2 3 4 5 6 7 8 9 10 11

1. SERIES HV10
2. A: CODE A
3. B: BOARD
4. H: HORIZONTAL
5. S: SMT
6. O: SINGLE ROW
7. 10: PIN NUMBER
8. A: PLASTIC MATERIAL
9. J: COLOR:ORANGE
10. SN: PLATING
11. OTHER

1. MATERIAL
  - 1.1 INSULATOR: HIGHT TEMPERATURE PLASTIC, UL94V-0,ORANGE,
  - 1.2 CONTACT: COPPER ALLOY, Sn OVER Ni
  - 1.3 LATCH: COPPER ALLOY, Sn OVER Ni
2. SPECIFICATIONS:
  - 2.1 OPERATING TEMPERATURE: -40°C ~ +105°C.
  - 2.2 RATED OPERATION. VOLTAGE:1000V DC



DRAWN	DATE	GENERAL	ANGLES	 YXT 益鑫通精密电子有限公司 YXT Precision Electronics Co.,Ltd.	
MENG YANG	2023.02.02	X. ±0.38	X' ±3.0°		
DESIGN	DATE	.X ±0.25	.X' ±2.0°	TITLE	
MENG YANG	2023.02.02	.XX ±0.13	.XX' ±1.0°		
CHECKED	DATE	.XXX ±0.05		HV10 SINGLE ROW 10PIN Connector	
APPROVED	DATE	GENERAL TOLERANCES UNLESS OTHERWISE SPECIFIED			
CUSTOMER DRAWING	SHEET 1 OF 1	UNIT: mm	SCALE 1:1		SIZE A4
				P/N	HV10-ABHS010-AJSN-00
				REV. X2	DWG NO. C-HV10-1P01-001