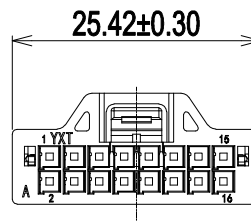
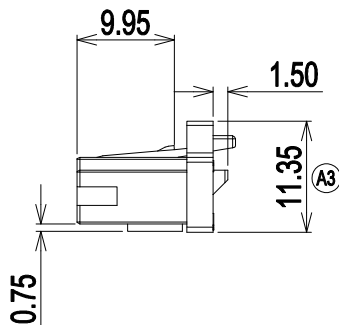
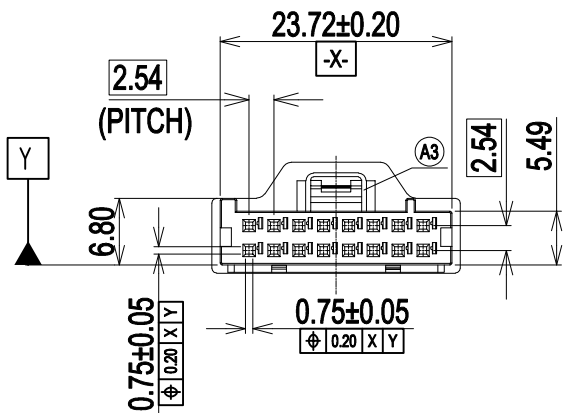
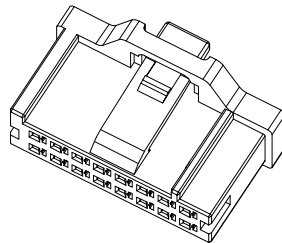
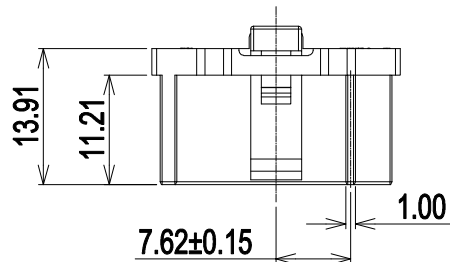


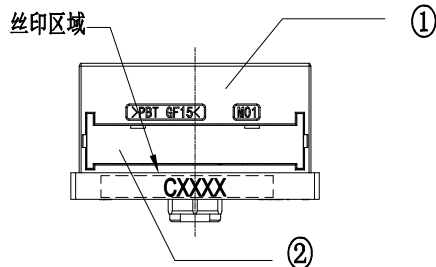
RoHS

REV.	ECR	DESCRIPTION	DATE	REVISOR	CHECKED	APPROVED
A		NEW RELEASE	12/03/2021	Menger		
A1		UPDATE DIM & STRUCTURE	3/20/2022	Menger		
A2		UPDATE STRUCTURE	4/29/2022	Menger		
A3		UPDATE STRUCTURE	1/12/2023	Menger		




NOTES:

- 1.ELECTRICAL PERFORMANCE
 - 1-1.RATED CURRENT: 2.0A/PIN
 - 1-2.INSULATION RESISTANCE: 100MΩ Min
 - 1-3.DIELECTRIC WITHSTANDING VOLTAGE: AC 1000V(PER MINUTE)
 - 1-4.CONTACT RESISTANCE: 20mΩ Max.initial
- 2.ENVIRONMENT PERFORMANCE
 - 2-1.OPERATING TEMPERATURE -40℃~125℃
- 3.RoHS COMPLIANT
- 4.PRODUCT NUMBER NOTE:
WTB50 - A W 1 16 H B 1 - 001
① ② ③ ④ ⑤ ⑥ ⑦ ⑧



丝印编码说明:

C XXXX 线+班别:
 年:2022-C 2 2029-K 星期:周日-1 2 星期:周六-7
 白班+线: 1.2~8, 9, A, B~E, F
 夜班+线: G, H, J, K~X, Y (I, O不用)

4				
3				
2	RETAINER	1	HIGH TEMPERATURE THERMOPLASTIC, BLACK	
1	HOUSING	1	HIGH TEMPERATURE THERMOPLASTIC, BLACK	
ITEM	NAME	QTY	MATERIAL / FINISH	
DRAWN	DATE	GENERAL	ANGLES	 YXT Precision Electronics Co.,Ltd.
Menger	2023-1-12	X. ±0.38	X°. ±3.0°	
DESIGN	DATE	.X ±0.25	.X° ±2.0°	
Menger	2023-1-12	.XX ±0.13	.XX° ±1.0°	
CHECKED	DATE	.XXX ±0.05		TITLE
		GENERAL TOLERANCES UNLESS OTHERWISE SPECIFIED		16PIN PLUG CONNECTOR
APPROVED	DATE			
CUSTOMER DRAWING	SHEET 1 OF 1	UNIT: mm	SCALE: 1:1	REV. A3
		SIZE A4	P/N	WTB50-AW116HB1-001
			DWG NO.	C-WTB50-2W-06