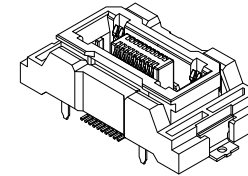
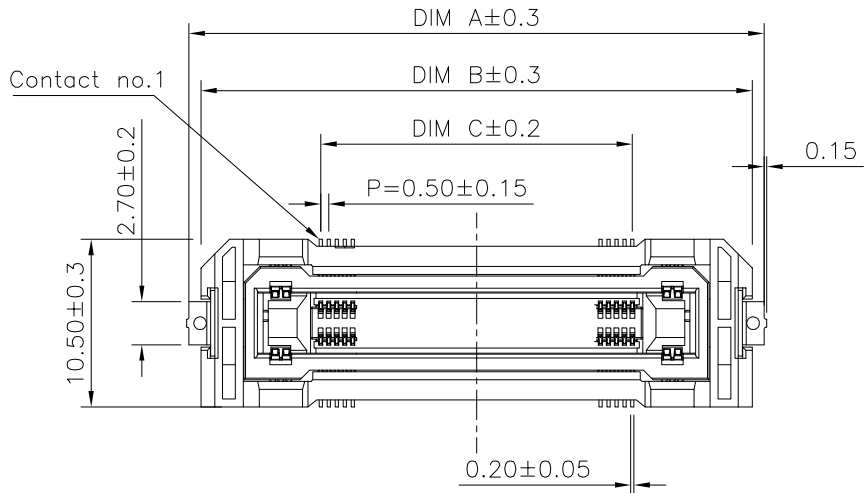


REV.	ECR	DESCRIPTION	DATE	REVISOR	CHECKED	APPROVED
X1		NEW RELEASE	2023/2/2	Jason		

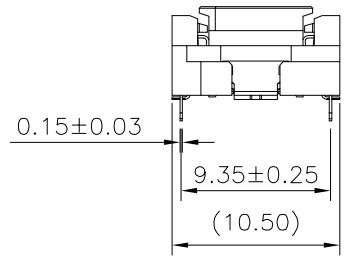
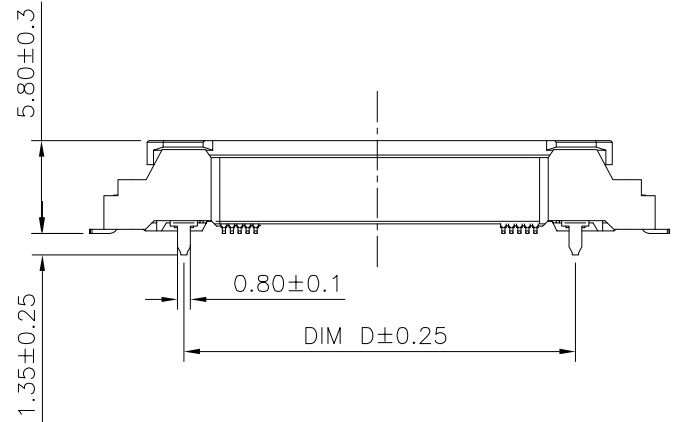


3D VIEW

PRODUCT NUMBER:

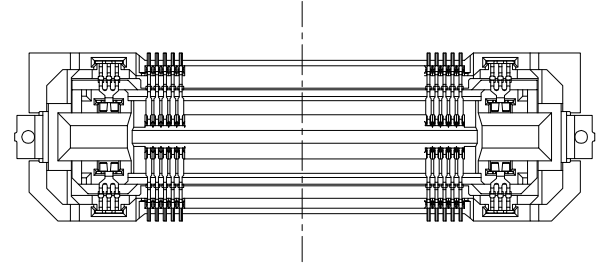
FBB10L - \*\*\* S 0.5 SV  
 ① ② ③ ④ ⑤

- ① FBB10L: PITCH 0.50mm BTB CONNECTOR
- ② \*\*\*: 60 80 120 POSITIONS
- ③ TYPE:S SOCKET
- ④ PITCH: 0.5mm
- ⑤ TYPE: SV-HORIZONTAL

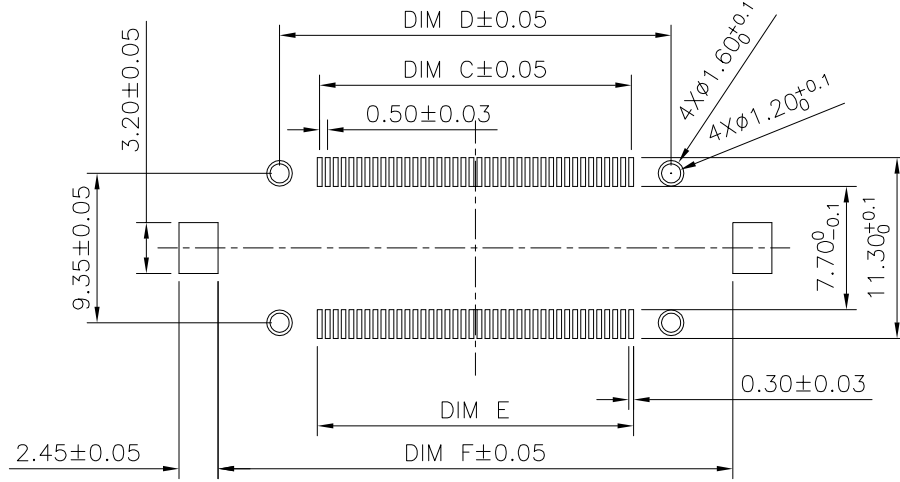


备注 (NOTES)


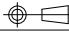
- 1. 材料 (MATERIAL)
  - 1.1 塑胶 (INSULATOR) : BLACK UL94-V0
  - 1.2 端子 (CONTACT) : COPPER ALLOY
- 2. 技术说明 (SPECIFICATIONS) :
  - 2.1 额定电流 (CURRENT RATING) : SIGNAL PIN 0.5A  
POWER PIN 3A
  - 2.2 额定电压 (VOLTAGE RATING) : SIGNAL PIN 50V AC  
POWER PIN 200V AC
  - 2.3 耐电压 (WITHSTANDING VOLTAGE) : SIGNAL PIN 150V AC FOR 1 MINUTE  
POWER PIN 600V AC FOR 1 MINUTE
  - 2.4 绝缘电阻 (INSULATION RESISTANCE) : SIGNAL PIN 100V DC  
POWER PIN 250V DC
  - 2.5 接触阻抗 (CONTACT RESISTANCE) : SIGNAL PIN 70mΩ MAX  
POWER PIN 20mΩ MAX
  - 2.6 工作温度 (OPERATING TEMPERATURE) : -55° C ~ +105° C.
  - 2.7 插拔循环 (Mating Cycles): 100 Cycles.



DRAWN	DATE	GENERAL	ANGLES	<b>YXT</b> 益鑫通精密电子有限公司 YXT Precision Electronics Co.,Ltd.
JASON	2023/2/2	X. ±0.35	X' ±2.0°	
DESIGN	DATE	.XX ±0.23	.XX'	
JASON	2023/2/2	.XXX ±0.15		TITLE
CHECKED	DATE	GENERAL TOLERANCES UNLESS OTHERWISE SPECIFIED		FBB10 SERIES 0.50mm Pitch BOARD TO BOARD
JASON	2023/2/2			
APPROVED	DATE			
JASON	2023/2/2			
客户图	SHEET 1 OF 2	UNIT: mm	SCALE 1:1	P/N FBB10L-***S0.5SV
		REV. X1	DWG NO. N/A	



APPLICABLE P.C.B LAYOUT(REF.)  
P.C.B THICKNESS t=1.6mm

DRAWN JASON	DATE 2023/2/2	GENERAL X. .X ±0.35 .XX ±0.23 .XXX ±0.15	ANGLES X° ±2.0° .X° .XX°	 <b>YXT</b> 益鑫通精密电子有限公司 YXT Precision Electronics Co.,Ltd.	
DESIGN JASON	DATE 2023/2/2				
CHECKED JASON	DATE 2023/2/2	GENERAL TOLERANCES UNLESS OTHERWISE SPECIFIED		SIZE A4	P/N FBB10L-***S0.5SV
APPROVED JASON	DATE 2023/2/2	 UNIT: mm	SCALE 1:1	REV. X1	DWG NO. N/A
客户图		SHEET 2 OF 2	SCALE 1:1	REV. X1	DWG NO. N/A