

## Product Specification (For External Use)

Rev.	Description	Written/Date	Checked/Date	Approved/Date
A	NEW RELEASE	Maggie 05-20-2021	Jason 05-20-2021	Jason 05-20-2021
B	ADD 10 16 24 30 38 50 PIN	Maggie 07-07-2021	Jason 07-07-2021	Jason 07-07-2021
C	Socket Terminal change	Tyler 10-09-2021	Jason 10-09-2021	Jason 10-09-2021

**0.35mm Pitch,0.70mm Height,Board-to-Board/Board-to-FPC Connectors  
(BB390 Series )**

<b>Rating</b>	Rated current signal pin: 0.3A /PIN HOLD DOWN:5A/PIN Rated voltage 50V AC	Operating temperature range : -40°C to +85°C Operating humidity range : 20% to 80%	Storage temperature range: -10°C to +45°C Storage humidity range : 20% to 80%
<b>Item</b>	<b>Specification</b>	<b>Conditions</b>	
1. Insulation resistance	1000 MΩ min.	150V DC /one minute	
2. Withstanding voltage	No flashover or insulation breakdown.	250V AC /one minute	
3. Contact resistance	Signal pin: 50 mΩ max hold down: 30 mΩ max	Subject mated contacts assembled in housing to 20mV maximum open circuit at 1mA max	
4. Vibration	No momentary disconnections of 1 micro-sec/min. And meet	Frequency :10Hz to 50Hz Half amplitude of 0.75mm 10 cycles in each of 3 axis directions for 5 minutes/cycle	
5. Humidity	No physical damage and meet 1. ( Insulation Resistance ) 2. ( Dielectric Withstanding Voltage ) 3. ( Contact Resistance )	Mated Connector and apply the following test condition. Temperature: +40±2° C Duration: 240 Hours	
6. Humidity Cycling	No physical damage and meet 1. ( Insulation Resistance ) 2. ( Dielectric Withstanding Voltage ) 3. ( Contact Resistance )	Mated Connector and apply the following test condition. Cycle: 10 cycles Temperature : +25 ( -10 ) ~ 65° C Humidity : 90~98%RH	
7. Durability	No physical damage and meet 3. (Contact Resistance)	30 cycles	
8. Resistance to soldering heat	No deformation of components affecting performance.	Reflow: At the recommended temperature profile Manual soldering: 350±10° C for 5±1 s Application : 3 times	
9. Salt water spray	No physical damage and meet 3. (Contact Resistance)	Mated Connector and apply the following test condition. Temperature: +35±2° C Salt water density : 5±1% Duration: 48 Hours	
10. Mating&Unmating Force	Mating force : 1.00N / pin max. Unmating force : 0.20N / pin min.	Operation Speed: 25 ± 3 mm Durability Cycles: 30 Cycles.	



**0.35mm Pitch,0.70mm Height,Board-to-Board/Board-to-FPC Connectors  
(BB390 Series )**

---

**Materials and Finishes**

Connectors	Component	Material	Finish		Remarks
Socket	Insulator	LCP	Color : Black		UL94V-0
	Contacts	Phosphor bronze	plating	Contact area: Au 4u” Min, Ni 80-150u”	
				Solder area: Au Gold Flash Ni 80-150u”	
Plug	Insulator	LCP	Color : Black		UL94V-0
	Contacts	Phosphor bronze	plating	Contact area: Au 4u” Min, Ni 80-150u”	
				Solder area: Au Gold Flash Ni 80-150u”	

### Ordering information (Socket)

**YXT-BB 39 0- XX S 1 4 A 0**

**1 2 3 4 5 6 7 8 9**

1. BB: Board to Board
2. Series name: 39 W=1.9 Connectors
3. Customer: 0 (routine)
4. Number of positions: 10、16、24、30、38、40、50 PIN
5. Type:S -Socket
6. Packing: 1 (10K/R)
7. Plating: 4 (Contact area Au 4u" min Ni 80-150u" Min )
8. Hold Down: A (With hold down power)
9. Serial number: 0

### Ordering information (Plug)

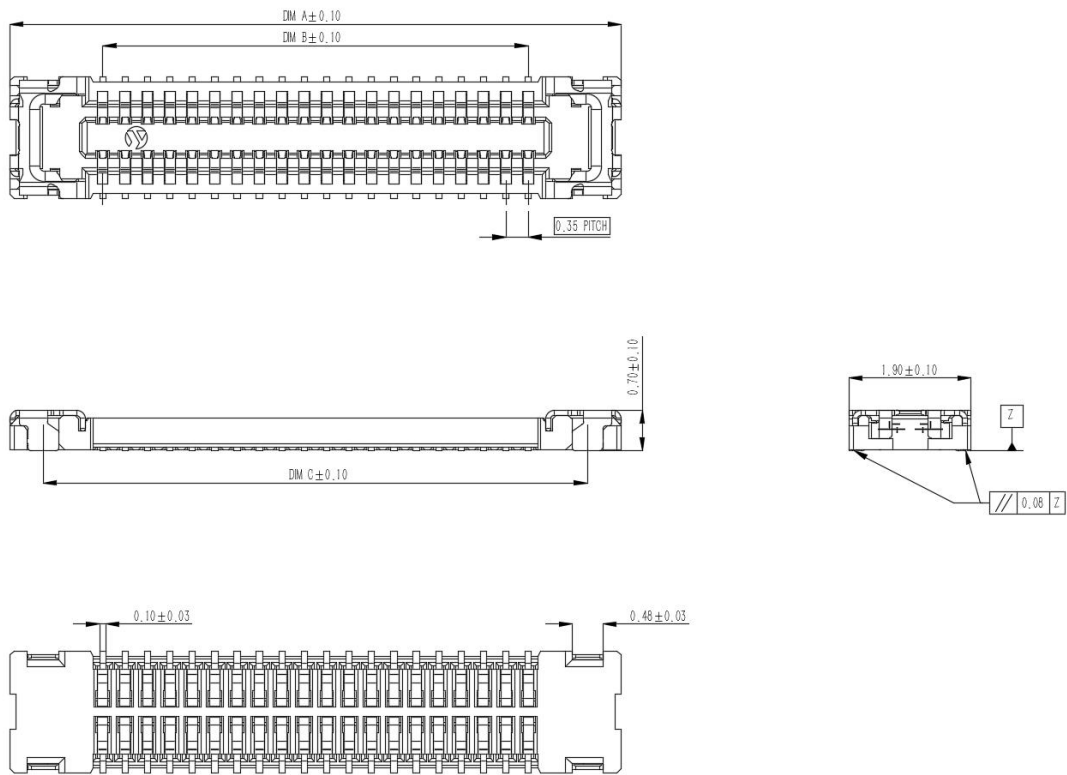
**YXT-BB 39 0- XX P 1 4 A 0**

**1 2 3 4 5 6 7 8 9**

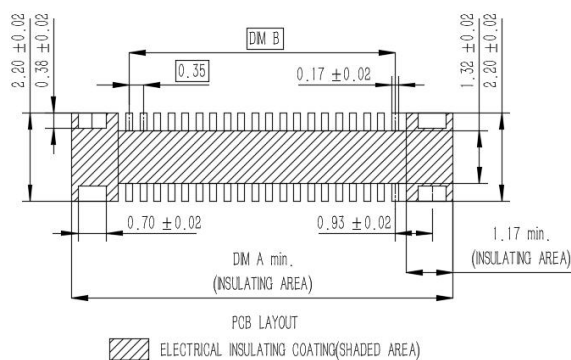
1. BB: Board to Board
2. Series name: 39 W=1.9 Connectors
3. Customer: 0 (routine)
4. Number of positions: 10、16、24、30、38、40、50 PIN
5. Type:P -Plug
6. Packing: 1 (10K/R)
7. Plating: 4 (Contact area Au 4u" min Ni 80-150u" Min)
8. Hold Down: A (With hold down power)
9. Serial number: 0

# 0.35mm Pitch,0.70mm Height,Board-to-Board/Board-to-FPC Connectors (BB390 Series)

## Socket (CAD Data)



## Recommended PCB mounting pattern

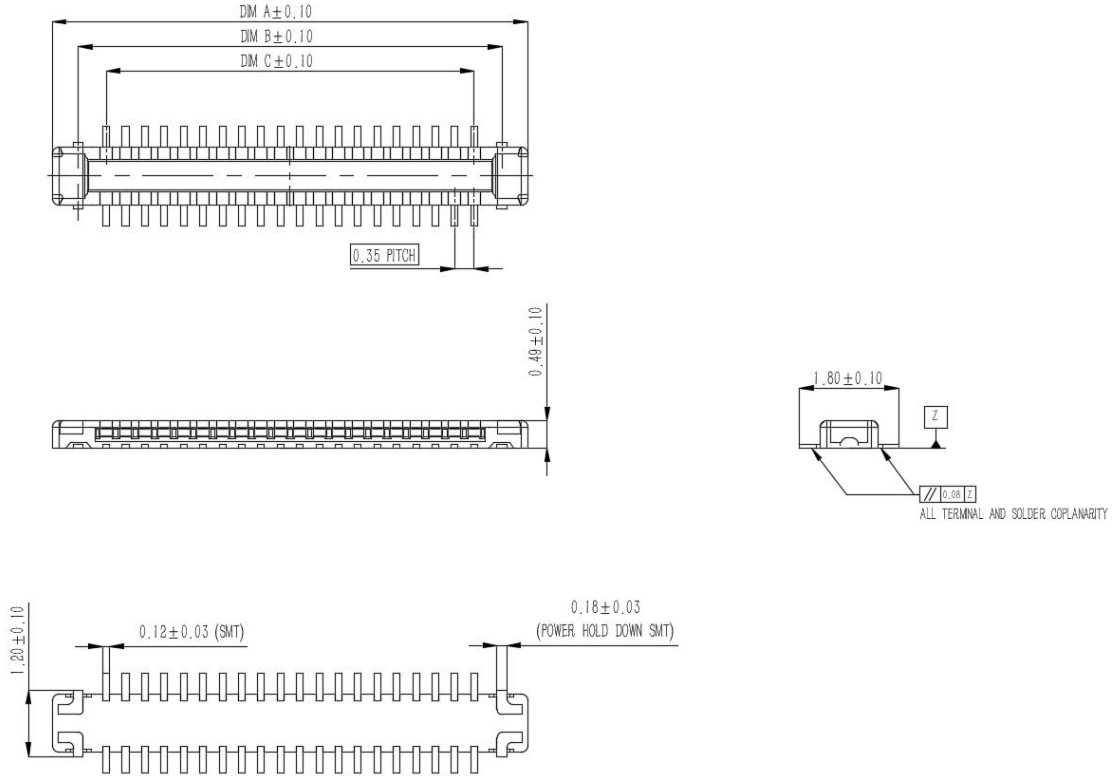


## Dimension table (Unit: mm)

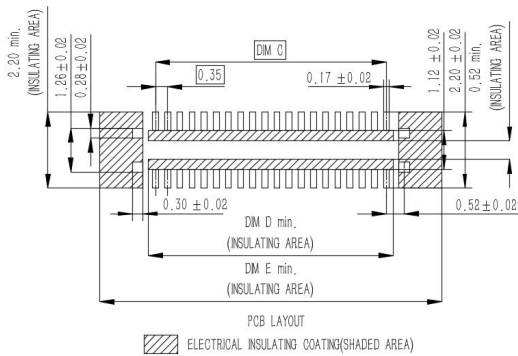
Part Number	Number of contacts	DIM A	DIM B	DIM C
YXT-BB390-10S14A0	10	4.30	1.40	3.25
YXT-BB390-16S14A0	16	5.35	2.45	4.30
YXT-BB390-24S14A0	24	6.75	3.85	5.70
YXT-BB390-30S14A0	30	7.80	4.90	6.75
YXT-BB390-38S14A0	38	9.20	6.30	8.15
YXT-BB390-40S14A0	40	9.55	6.65	8.50
YXT-BB390-50S14A0	50	11.30	8.40	10.25

# 0.35mm Pitch,0.70mm Height,Board-to-Board/Board-to-FPC Connectors (BB390 Series)

## Plug (CAD Data)



## Recommended PCB mounting pattern Dimension table (Unit: mm)

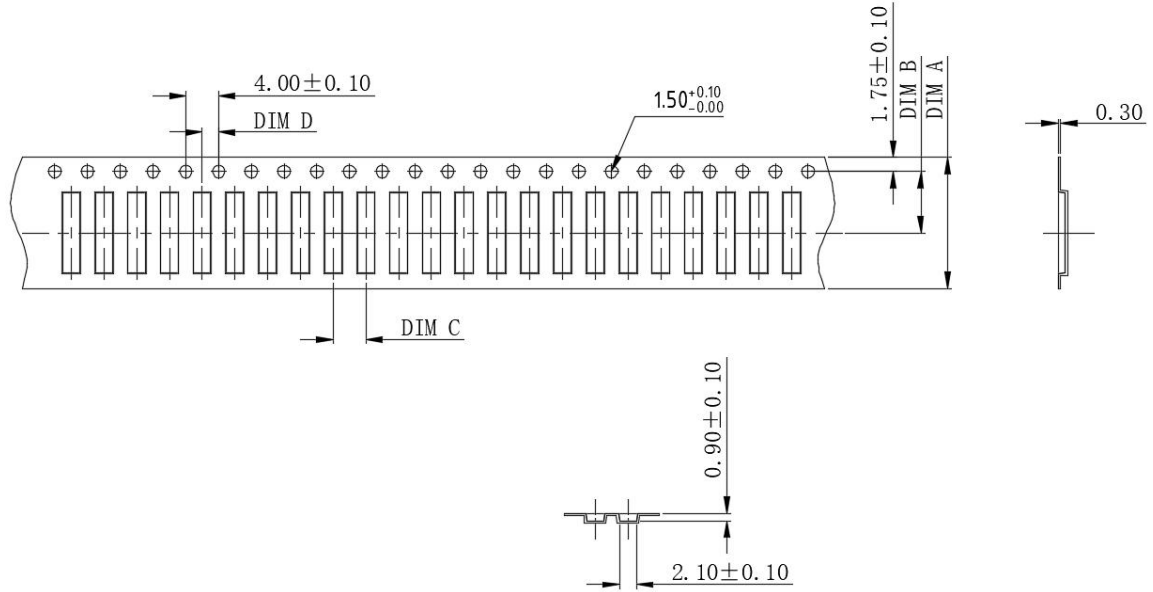


Part Number	Number of contacts	DIM A	DIM B	DIM C	DIM D	DIM E
YXT-BB390-10P14A0	10	3.35	2.41	1.40	1.80	4.60
YXT-BB390-16P14A0	16	4.40	3.46	2.45	2.85	5.65
YXT-BB390-24P14A0	24	5.80	4.86	3.85	4.25	7.05
YXT-BB390-30P14A0	30	6.85	5.91	4.90	5.30	8.10
YXT-BB390-38P14A0	38	8.25	7.31	6.30	6.70	9.50
YXT-BB390-40P14A0	40	8.60	7.66	6.65	7.05	9.85
YXT-BB390-50P14A0	50	10.35	9.41	8.40	8.80	11.60

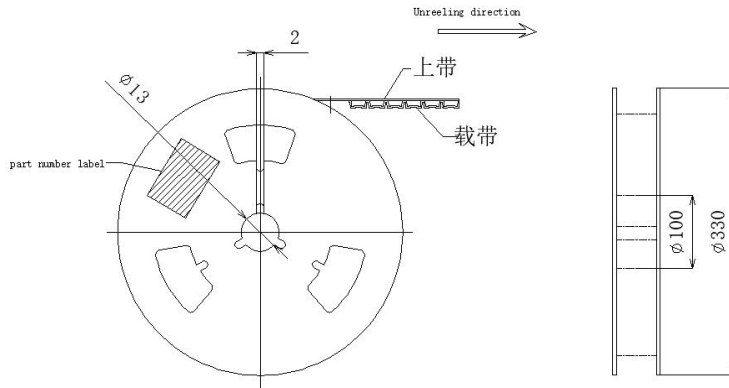
0.35mm Pitch,0.70mm Height,Board-to-Board/Board-to-FPC Connectors  
(BB390 Series)

Packing Specification

Embossed Carrier Tape Dimensions-Socket

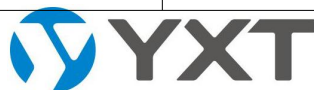


Reel Dimensions--Socket



Dimension table (Unit: mm)

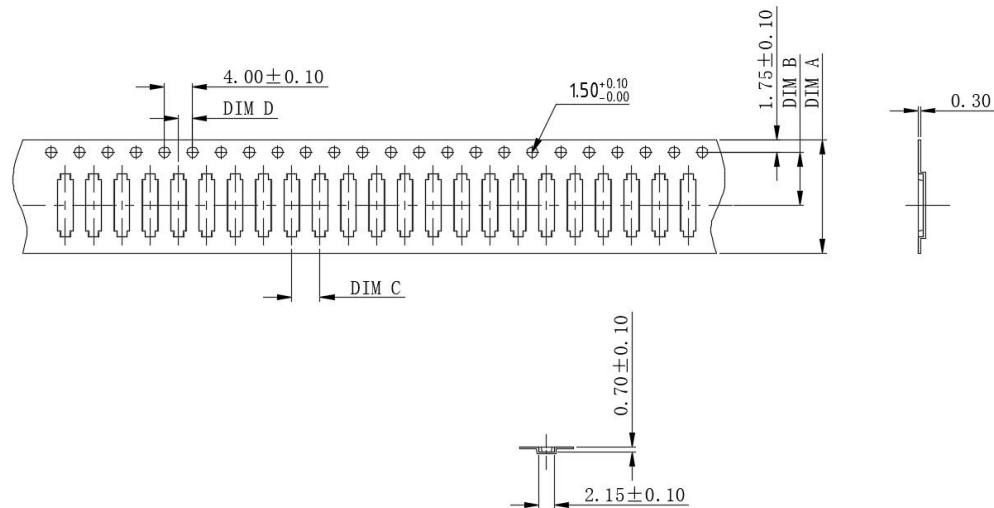
Part Number	A	B	C	D	Quantity(PC/REEL)
YXT-BB390-10S14A0	12	5.5	4	2	10000
YXT-BB390-16S14A0	16	7.5	4	2	10000
YXT-BB390-24S14A0	16	7.5	4	2	10000
YXT-BB390-30S14A0	16	7.5	4	2	10000
YXT-BB390-38S14A0	16	7.5	4	2	10000
YXT-BB390-40S14A0	16	7.5	4	2	10000
YXT-BB390-50S14A0	24	11.5	4	2	10000



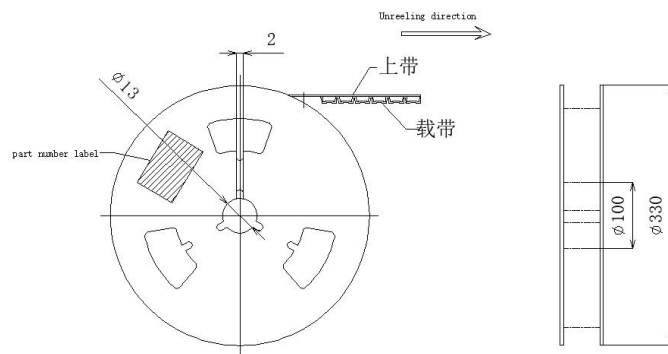
# 0.35mm Pitch,0.70mm Height,Board-to-Board/Board-to-FPC Connectors (BB390 Series)

## Packing Specification

### Embossed Carrier Tape Dimensions-Plug



### Reel Dimensions--Plug



### Dimension table (Unit: mm)

Part Number	A	B	C	D	Quantity(PC/REEL)
YXT-BB390-10P14A0	12	5.5	4	2	10000
YXT-BB390-16P14A0	16	7.5	4	2	10000
YXT-BB390-24P14A0	16	7.5	4	2	10000
YXT-BB390-30P14A0	16	7.5	4	2	10000
YXT-BB390-38P14A0	16	7.5	4	2	10000
YXT-BB390-40P14A0	16	7.5	4	2	10000
YXT-BB390-50P14A0	24	11.5	4	2	10000



Instruction of application to usage

