

**0.5mm Pitch,1.0mm Height , Back Flip FPC/FFC Connectors
(ZF50 Series)**

Product Specification (For External Use)

Rev.	Description	Written/Date	Checked/Date	Approved/Date
A	New Release	Mike 1-31-2015	Mike 1-31-2015	Dickson Guan 1-31-2015
B	B × 1 Recommended PCB mounting pattern changed	Bian Sen 3-1-2016	Tiger 3-1-2016	Dickson Guan 3-1-2016
C	C × 2 Add CAD Date	Bian Sen 8-5-2016	Tiger 8-5-2016	Dickson Guan 8-5-2016
D	D × 2 Add CAD Date and Recommended PCB mounting pattern	Bian Sen 10-22-2016	Tiger 10-22-2016	Dickson Guan 10-22-2016
E	E × 1 Add plating specification	Bian Sen 11-30-2016	Tiger 11-30-2016	Dickson Guan 11-30-2016
F	F × 1 Modify CAD Dimension	Bian Sen 06-01-2017	Tiger 06-01-2017	Dickson Guan 06-01-2017
G	G × 1 Add temperature profile	Bian Sen 07-17-2017	Tiger 07-17-2017	Dickson Guan 07-17-2017
H	H × 1 Logo changed	Maggie yan 03-07-2018	Jason bian 03-07-2018	Dickson Guan 03-07-2018

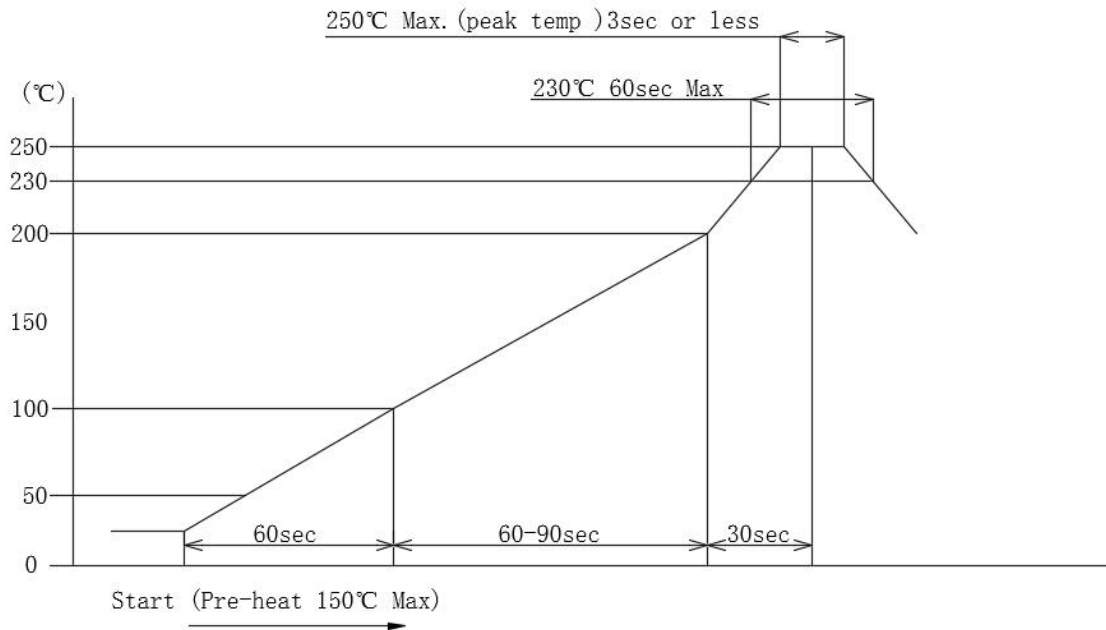
**0.5mm Pitch,1.0mm Height , Back Flip FPC/FFC Connectors
(ZF50 Series)**

Product Specifications

Rating	Rated current 0.5A/PIN Rated voltage 50V AC/DC	Operating temperature range : -55ç to 85ç Operating humidity range : 20% to 80%	Storage temperature range: -55ç to 85ç Storage humidity range : 20% to 80%
Item	Specification	Conditions	
1. Insulation resistance	500 M Ω min.	150V DC	
2. Withstanding voltage	No flashover or insulation breakdown.	150V AC / one minute	
3. Contact resistance	50 m Ω max initial 100 m Ω max final	Subject mated contacts assembled in housing to 20mV maximum open circuit at 100 mA maximum	
4. Vibration	No electrical discontinuity of 1 μ s or more	Frequency: 10 to 55 Hz, single amplitude of 1.5mm, 2 hours along each X, Y, Z, total 6 hours	
5. Humidity	Contact resistance: 100 m Ω max. Insulation resistance: 100 M Ω min.	120 hours at temperature of 40ç \pm 2ç and RH of 90% to 95%	
6. Temperature cycle	Contact resistance: 100 m Ω max. Insulation resistance: 100 M Ω min.	Temperature: -55ç/+5ç/+35ç/+85ç Duration: 30/10/10/30 (Minutes) 5 cycles	
7. Durability	Contact resistance: 100 m Ω max.	30 cycles	
8. Resistance to soldering heat	No deformation of components affecting performance.	Reflow: At the recommended temperature profile Manual soldering: 300ç for 3 seconds	
9. Salt water spray	1). Appearance shall not be distinct damage. 2). Resistance value after test After test: 100m Ω Maximum.	Temperature: 35°C \pm 2°C Density of salt water : 5 \pm 1% Duration: 48 hours.	
10. FPC/FFC Retention Force	Minimum 20grams/terminal x total terminals.	Measure force necessary to mate assemblies at maximum rate of 25 \pm 3 mm per minute.	

0.5mm Pitch,1.0mm Height , Back Flip FPC/FFC Connectors (ZF50 Series)

Resistance to flow solder heat



Temperature condition graph
Temperature on board pattern side

G

0.5mm Pitch,1.0mm Height , Back Flip FPC/FFC Connectors (ZF50 Series)

Materials and Finishes (E)

Connectors	Component	Material	Finish		Remarks	
Socket	Housing	Thermoplastic High Temp	Color : Black		UL94V-0	
	Actuator	Thermoplastic High Temp	Color : Black		UL94V-0	
	Contacts	Phosphor bronze	Plating	Contact area: Au 3u” Min, Ni 80-150u”		
				Solder area: Au 3u” Min, Ni 80-150u”		
Metal Fittings	Phosphor bronze	Plating	Matte Tin 100-200u” , Ni 80-150u”			

Ordering information

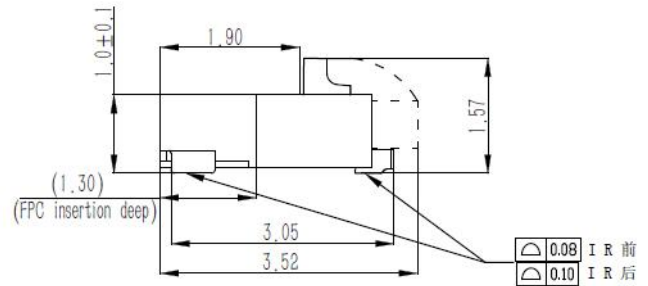
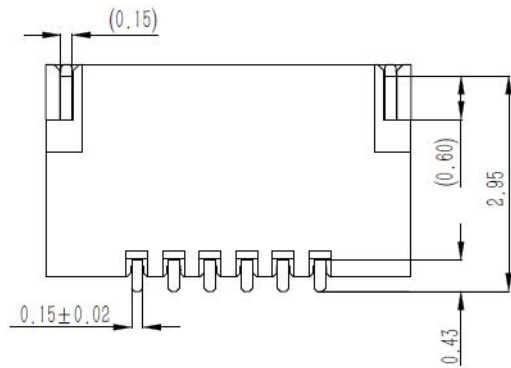
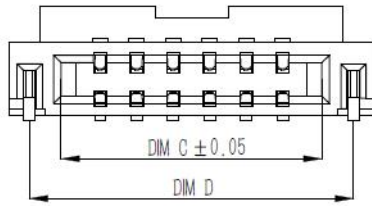
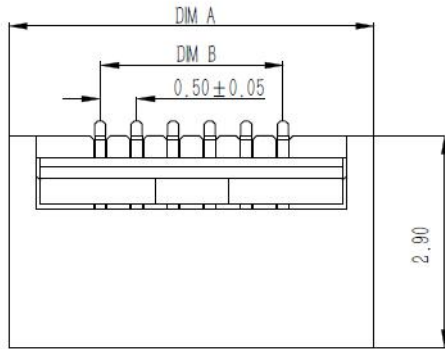
YXT-ZF50-B-00**

1 2 3 4

1. YXT: YXT PRECISION TECHNOLOGY CO., LTD.
2. Series name: ZF50 (0.5mm pitch 1.0mm height FPC/FFC Connectors)
3. Number of positions: 06-50 B: Back Flip Type
4. 00 (standard)

0.5mm Pitch, 1.0mm Height, Back Flip FPC/FFC Connectors (ZF50 Series)

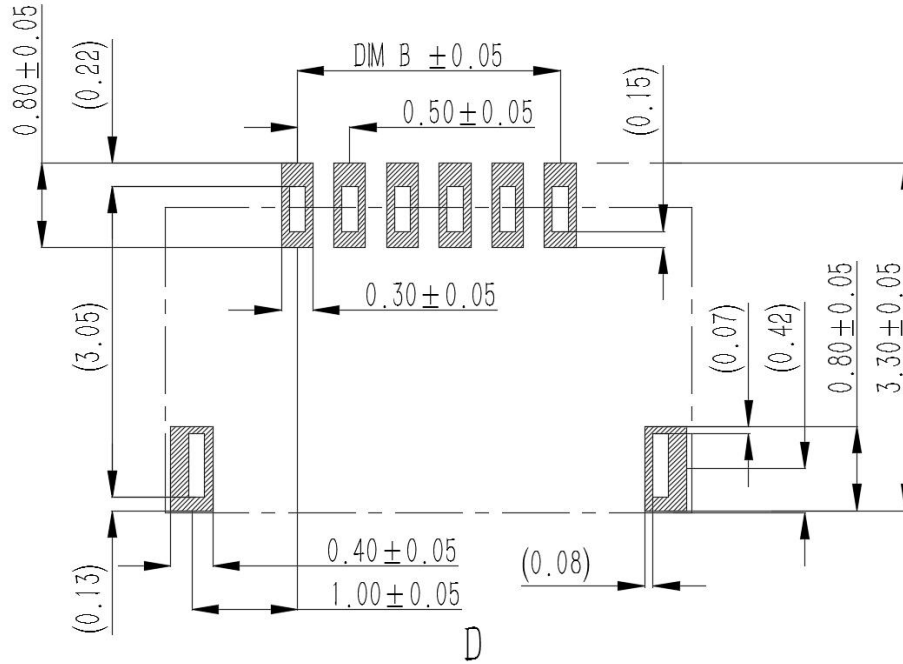
(CAD Data: Unit: mm)



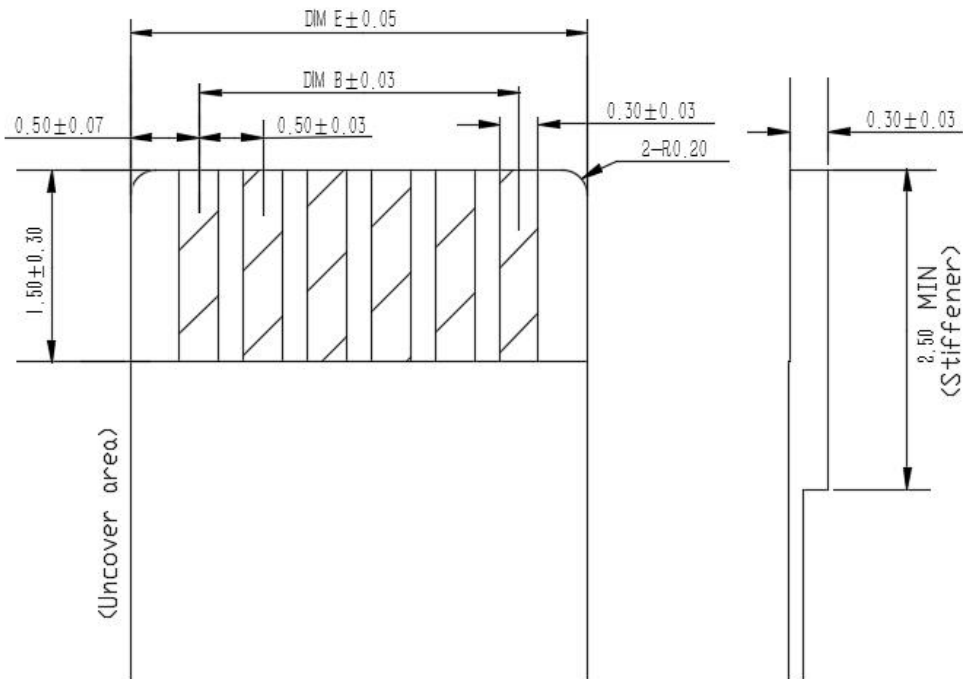
General tolerance: ± 0.10

0.5mm Pitch, 1.0mm Height, Back Flip FPC/FFC Connectors (ZF50 Series)

Recommended PCB mounting pattern (Unit: mm)



Recommended FPC/FFC Dimensions



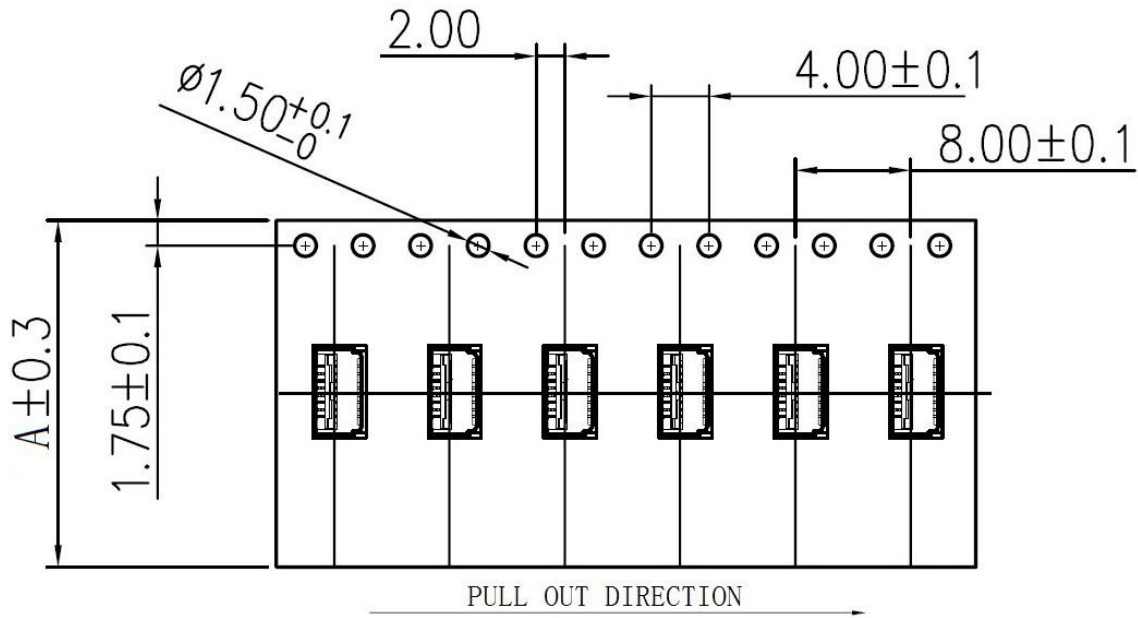
0.5mm Pitch,1.0mm Height , Back Flip FPC/FFC Connectors (ZF50 Series)

Dimensions table (Unit: mm)

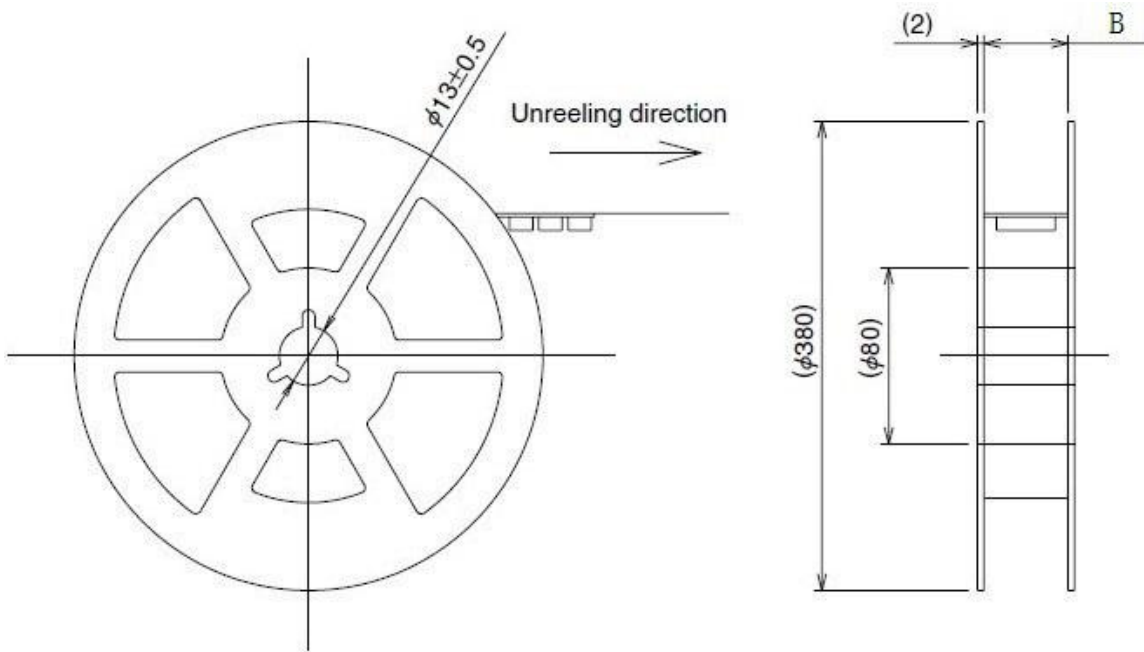
Part Number	Number of contact	DIM A	DIM B	DIM C	DIM D	DIM E
YXT-ZF50-06B-00	06	5.00	2.50	3.57	4.43	3.50
YXT-ZF50-08B-00	08	6.00	3.50	4.57	5.43	4.50
YXT-ZF50-10B-00	10	7.00	4.50	5.57	6.43	5.50
YXT-ZF50-12B-00	12	8.00	5.50	6.57	7.43	6.50
YXT-ZF50-14B-00	14	9.00	6.50	7.57	8.43	7.50
YXT-ZF50-16B-00	16	10.00	7.50	8.57	9.43	8.50
YXT-ZF50-20B-00	20	12.00	9.50	10.57	11.43	10.50
YXT-ZF50-22B-00	22	13.00	10.50	11.57	12.43	11.50
YXT-ZF50-24B-00	24	14.00	11.50	12.57	13.43	12.50
YXT-ZF50-26B-00	26	15.00	12.50	13.57	14.43	13.50
YXT-ZF50-30B-00	30	17.00	14.50	15.57	16.43	15.50
YXT-ZF50-32B-00	32	18.00	15.50	16.57	17.43	16.50
YXT-ZF50-34B-00	34	19.00	16.50	17.57	18.43	17.50
YXT-ZF50-40B-00	40	22.00	19.50	20.57	21.43	20.50
YXT-ZF50-50B-00	50	27.00	24.50	25.57	26.43	25.50

0.5mm Pitch, 1.0mm Height, Back Flip FPC/FFC Connectors
(ZF50 Series)

Packing Specification



Reel Dimensions



0.5mm Pitch,1.0mm Height , Back Flip FPC/FFC Connectors (ZF50 Series)

Dimension table (Unit: mm)

Part Number	Number of contact	A	B	Quantity (PC/REEL)
YXT-ZF50-06B-00	06	16	16.5	4000
YXT-ZF50-08B-00	08	16	16.5	4000
YXT-ZF50-10B-00	10	16	16.5	4000
YXT-ZF50-12B-00	12	24	24.5	4000
YXT-ZF50-14B-00	14	24	24.5	4000
YXT-ZF50-16B-00	16	24	24.5	4000
YXT-ZF50-20B-00	20	24	24.5	4000
YXT-ZF50-22B-00	22	24	24.5	4000
YXT-ZF50-24B-00	24	24	24.5	4000
YXT-ZF50-26B-00	26	24	24.5	4000
YXT-ZF50-30B-00	30	32	32.5	4000
YXT-ZF50-32B-00	32	32	32.5	4000
YXT-ZF50-34B-00	34	32	32.5	4000
YXT-ZF50-40B-00	40	44	44.5	4000
YXT-ZF50-50B-00	50	44	44.5	4000