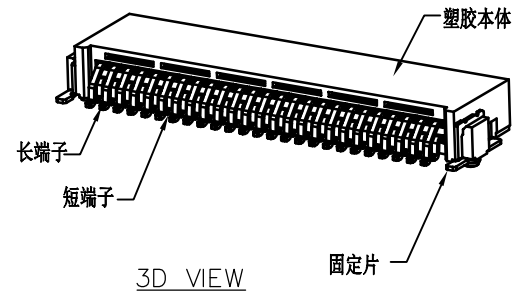
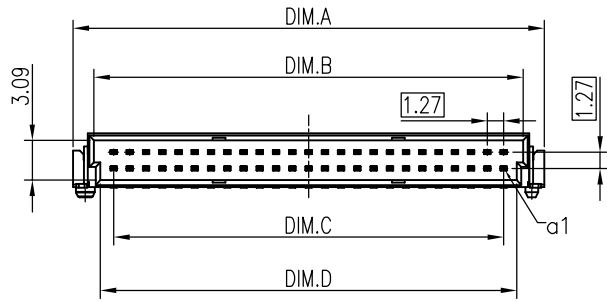
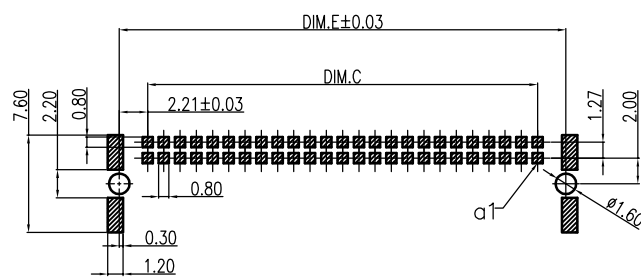
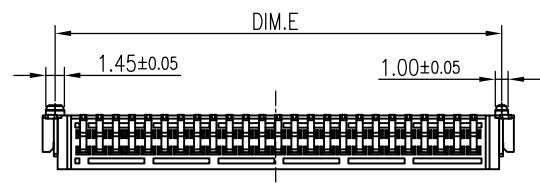
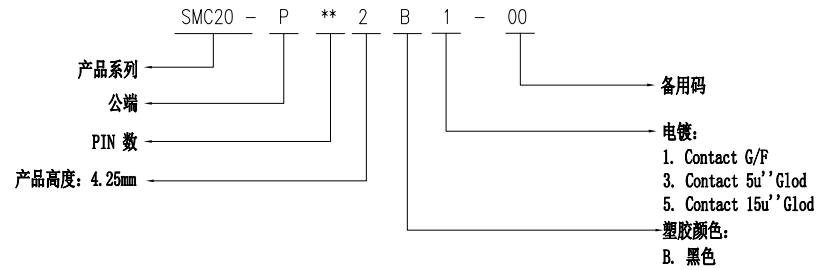
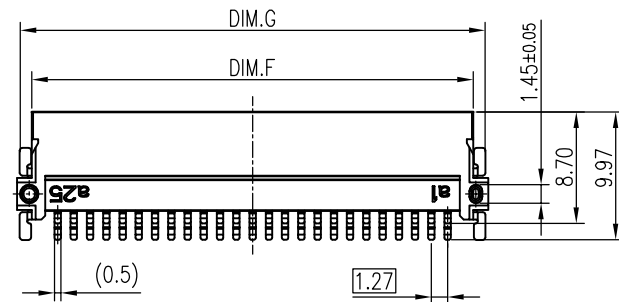


RoHS

REV.	ECR	DESCRIPTION	REVISOR	CHECKED	APPROVED
A	EN-0101-220036	NEW RELEASE	LEE XD	DAVID WANG	LV



3D VIEW



RECOMMENDED PCB LAYOUT(TOLERANCE:±0.05)

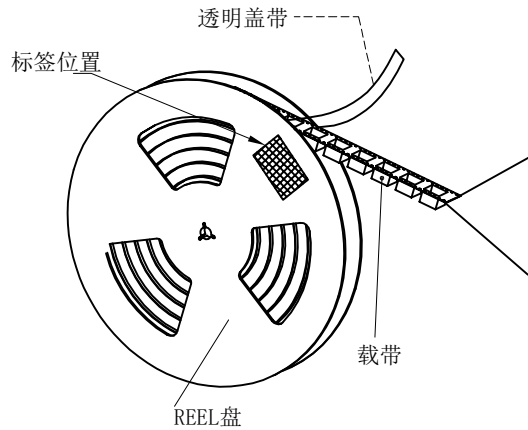
备注 (NOTES)

- 材料 (MATERIAL)
 - 1.1 塑胶 (INSULATOR): 耐高温塑胶, 阻燃等级UL94V-0, 颜色: 黑色
HIGHT TEMPERATURE PLASTIC, UL94V-0, BLACK COLOR.
 - 1.2 端子 (CONTACT): 铜合金 COPPER ALLOY,
电镀: 接触区域镀金, 焊接区域镀雾锡; 整体镍底
COPPER ALLOY, GOLD PLATED ON CONTACT AREA;
MATTE-TIN PLATED ON SOLDER AREA;
NICKEL UNDERPLATED OVERALL.
 - 1.3 接地片 (HD): 铜合金 COPPER ALLOY
MATTE-TIN PLATED ON SOLDER AREA;
NICKEL UNDERPLATED OVERALL.
- 电气特性 (ELECTRICAL SPECIFICATIONS):
 - 2.1 额定电流 (CURRENT RATING): 1.7A MAX. AC / DC
 - 2.2 耐电压 (WITHSTANDING VOLTAGE): 500V AC FOR 1 MINUTE.
 - 2.3 绝缘电阻 (INSULATION RESISTANCE): 100MΩ OHMS MIN. DC 500V.
 - 2.4 接触阻抗 (CONTACT RESISTANCE): 25mΩ MAX.
- 机械特性 (MECHANICAL SPECIFICATIONS):
 - 3.1 耐久 (DURABILITY): 100 CYCLES
- 环境特性 (ENVIRONMENTAL SPECIFICATIONS):
 - 4.1 工作温度 (OPERATING TEMPERATURE): -40° C ~ +125° C.

PART No.	PIN No.	DIM.A	DIM.B	DIM.C	DIM.D	DIM.E	DIM.F	DIM.G
SMC20-P122B1-00	12	12.70	9.41	6.35	8.41	10.77	10.37	10.37
SMC20-P162B1-00	16	15.24	11.95	8.89	10.95	13.31	12.91	14.73
SMC20-P202B1-00	20	17.78	14.49	11.43	13.49	15.85	15.45	17.27
SMC20-P262B1-00	26	21.59	18.30	15.24	17.31	19.66	19.26	21.08
SMC20-P322B1-00	32	25.40	22.11	19.05	21.11	23.47	23.07	24.89
SMC20-P402B1-00	40	30.48	27.19	24.13	26.19	28.55	28.15	29.97
SMC20-P502B1-00	50	36.83	33.54	30.48	32.54	34.90	34.50	36.32
SMC20-P682B1-00	68	48.26	44.97	41.91	43.97	46.33	45.93	47.75
SMC20-P802B1-00	80	55.88	52.59	49.53	51.59	53.95	53.55	55.37

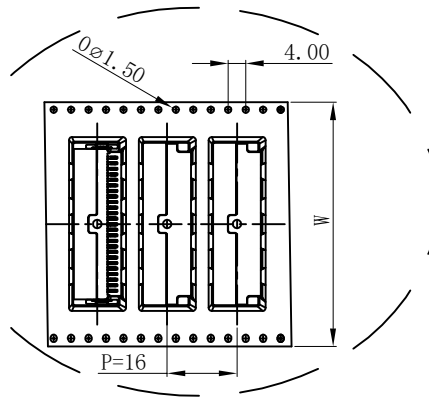
DRAWN LEE XD 2021/11/27	DATE 2021/11/27	GENERAL X. ±0.38 .X ±0.25 .XX ±0.13 .XXX ±0.05	ANGLES X' ±3.0' .X' ±2.0' .XX' ±1.0'	益鑫通精密电子有限公司 YXT Precision Electronics Co.,Ltd.
CHECKED DAVID 2021/11/27	DATE 2021/11/27	GENERAL TOLERANCES UNLESS OTHERWISE SPECIFIED		
APPROVED LV 2021/11/27	DATE 2021/11/27	UNIT: mm	SIZE A4	P/N SMC20-P**2B*-00
CUSTOMER DRAWING	SHEET 1 OF 2	SCALE 1:1	REV. A	DWG NO. C-SMC20-10-00

RoHS

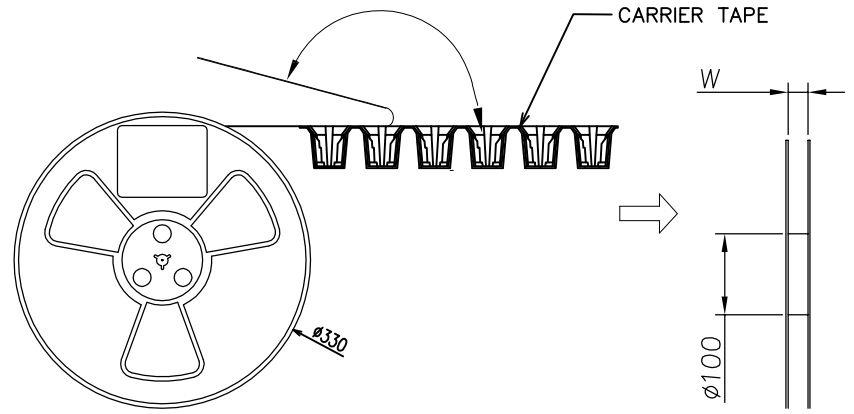


VIEW-1

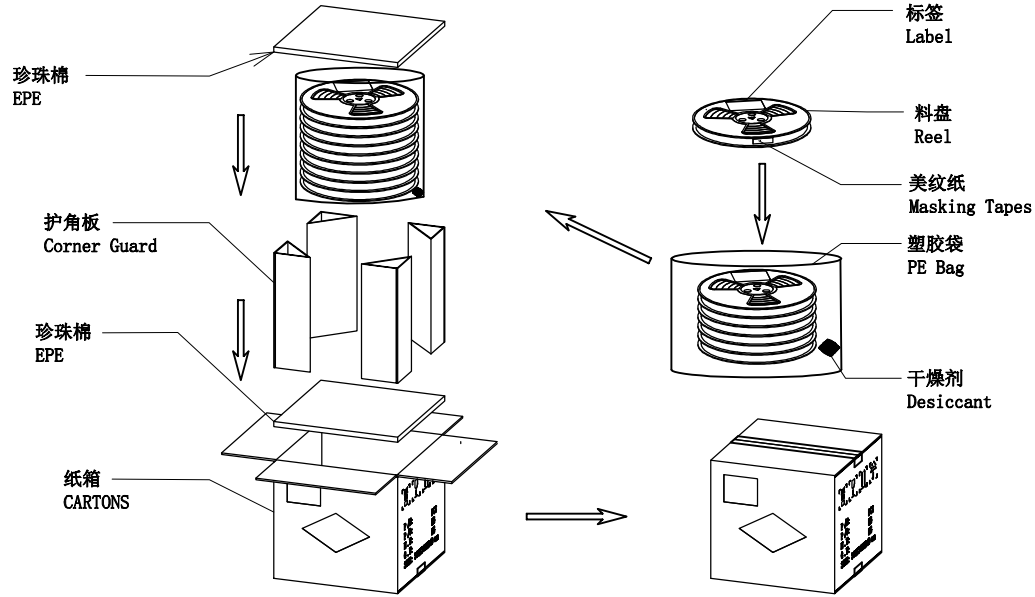
USER DIRCTION OF UNREELING



COVER TAPE PEELING ANGLE: 165° ~ 180°
STRIPPING FORCE : 20g~130g



包装规范



备注:

1. 产品包装方向须一致;
2. 载带前后空格—15pcs;
3. 装满成品之纸箱, 最大堆积箱数: 5箱;
4. 包装数量700PCS/盘
5. 包装上封带为透明封带, 采用热封方式。
6. 订单数少于Q' TY/2 时, 散盘包装 (不用REEL盘)
7. 符合包装通用规范 (IEC 60286-3)

产品PIN数	载带宽度 (W)	包装数/大箱 (370*370*340)	包装数/中箱 (340*340*180)	包装数/小箱 (340*340*100)
12 P	24mm	9	5	3
16 P	32mm	7	4	2
20 P	32mm	7	4	2
26 P	44mm	6	3	2
32 P	44mm	6	3	2
40 P	44mm	6	3	2
50 P	56mm	5	2	1
68 P	72mm	4	2	1
80 P	72mm	4	2	1

GENERAL		ANGLES	
X.	±0.38	X°.	±3.0°
.X	±0.25	.X°	±2.0°
.XX	±0.13	.XX°	±1.0°
.XXX	±0.05		



TITLE
PITCH 1.27mm SMC20水平公端

GENERAL TOLERANCES UNLESS OTHERWISE SPECIFIED			
UNIT: mm	SIZE A4	P/N	SMC20-P**2B*-00
SHEET 2 OF 2	SCALE N/A	REV. A	DWG NO. C-SMC20-10-00