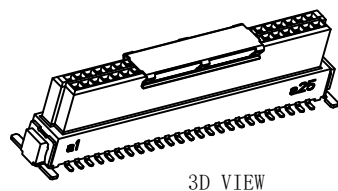
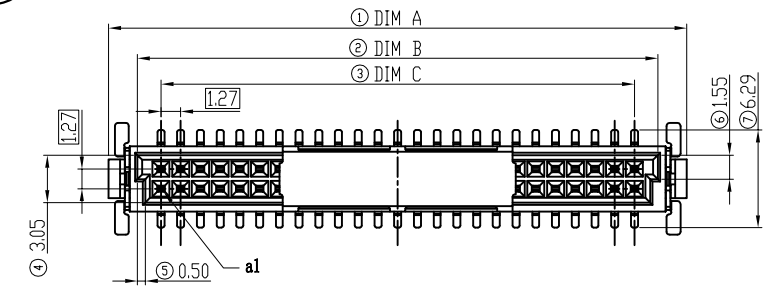
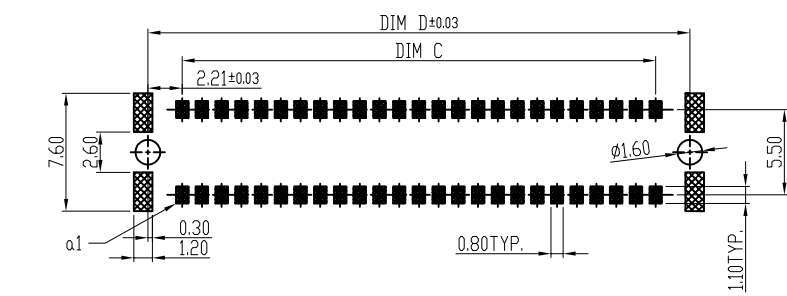
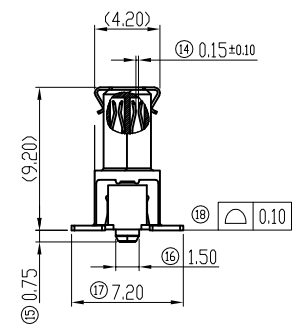
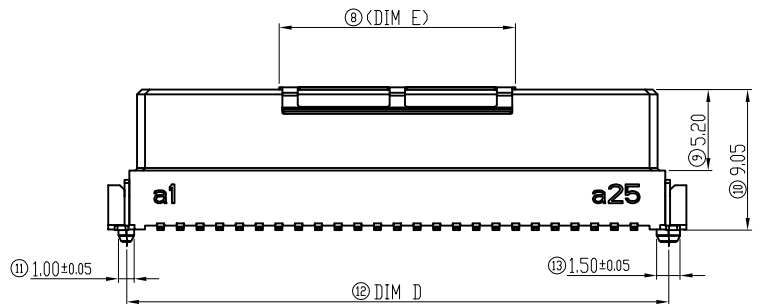


RoHS



3D VIEW



RECOMMENDED PCB LAYOUT (TOLERANCE: ±0.05)

SMC10 - R ** 6 B * - 00

产品系列 ———— 母端 ———— PIN 数 ———— 产品高度: 9.05mm

备用码 ———— 电镀: 1. Contact G/F 3. Contact 5u' Gold 5. Contact 15u' Gold ———— 塑胶颜色: 黑色

1	2	3	4	5	6	7	8
REV.	ECR	DESCRIPTION	REVISOR	CHECKED	APPROVED		
A	EN-0101-210056	NESW RELEAE	ZUYU JIANG	DAVID WANG	LV		

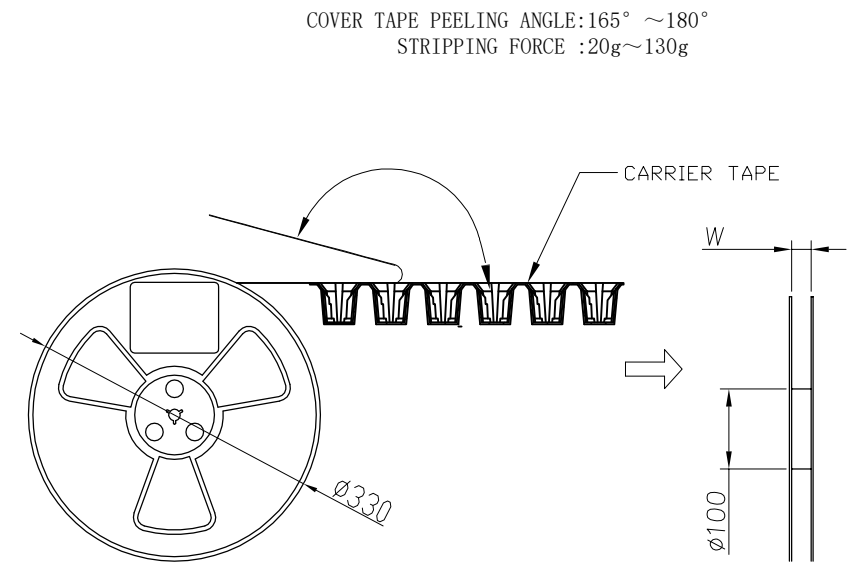
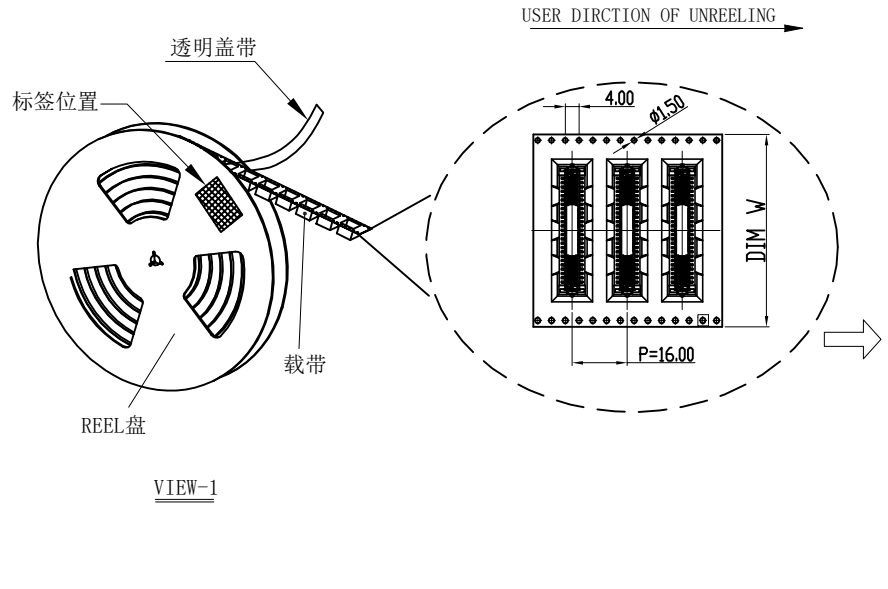
备注 (NOTES)

- 材料 (MATERIAL)
 - 塑胶 (INSULATOR): LCP, 阻燃等级UL94V-0, 颜色: 黑色 LCP, UL94V-0, BLACK COLOR.
 - 端子 (CONTACT): 铜合金 COPPER ALLOY, 电镀: 接触区域镀金, 焊接区域镀雾锡; 整体镍底 COPPER ALLOY, GOLD PLATED ON CONTACT AREA; MATTE-TIN PLATED ON SOLDER AREA; NICKEL UNDERPLATED OVERALL;
 - 接地片 (HD): 铜合金 COPPER ALLOY MATTE-TIN PLATED ON SOLDER AREA; NICKEL UNDERPLATED OVERALL;
- 电气特性 (ELECTRICAL SPECIFICATION):
 - 额定电流 (CURRENT RATING): 1.7A MAX. AC / DC
 - 耐电压 (WITHSTANDING VOLTAGE): 500V AC FOR 1 MINUTE.
 - 绝缘电阻 (INSULATION RESISTANCE): 100MΩ MIN. DC 500V.
 - 接触阻抗 (CONTACT RESISTANCE): 25mΩ MAX.
- 机械特性 (MECHANICAL SPECIFICATION)
 - 耐久 (DURABILITY): 100 CYCLES
- 环境特性 (ENVIRONMENTAL SPECIFICATION)
 - 工作温度 (OPERATING TEMPERATURE): -40° C ~ +125° C.

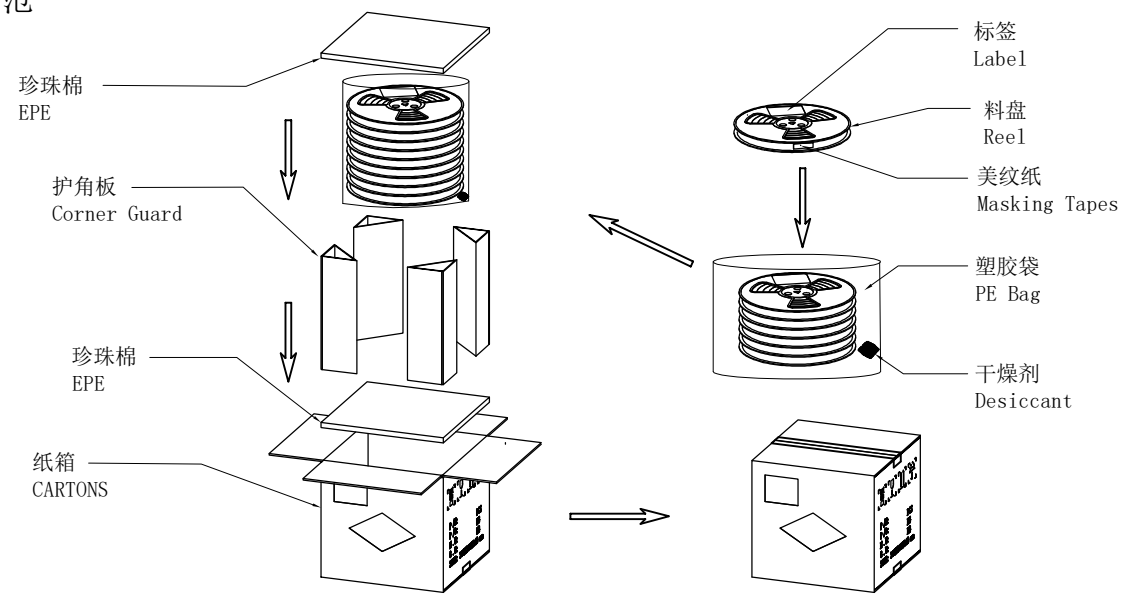
80	56.28	52.55	49.53	53.95	15.2
68	48.66	44.93	41.91	46.33	
50	37.23	33.50	30.48	34.90	
40	30.88	27.15	24.13	28.55	
32	25.80	22.07	19.05	23.47	
26	21.99	18.26	15.24	19.66	4.2
20	18.18	14.45	11.43	15.85	
16	15.64	11.91	8.89	13.31	
12	13.10	9.37	6.35	10.77	
PIN NO.	DIM. A	DIM. B	DIM. C	DIM. D	DIM. E

DRAWN	DATE	GENERAL	ANGLES	益鑫通精密电子有限公司 YIT Precision Electronics Co., Ltd.
DESIGN	DATE	X. ±0.38 .X ±0.25 .XX ±0.13 .XXX ±0.05	X° ±3.0° .X° ±2.0° .XX° ±1.0°	
CHECKED	DATE	GENERAL TOLERANCES UNLESS OTHERWISE SPECIFIDE		TITLE :
APPROVED	DATE	UNIT: mm SCALE 1:1		PITCH 1.27mm FOR 180° SMT SMC10 CONN. (H=9.05)
CUSTOMER DRAWING		SHEET 1 OF 2	REV. A	SIZE A4 P/N : SMC10-R**6B*-00 DWG NO. : C-SMC10-14-00

RoHS



包装规范



备注:

1. 产品包装方向须一致;
2. 载带前后空格—16pcs;
3. 装满成品之纸箱, 最大堆积箱数: 5箱;
4. 包装数量350PCS/盘
5. 包装上封带为透明封带, 采用热封方式。
6. 订单数少于Q' TY/2 时, 散盘包装 (不用REEL盘)
7. 符合包装通用规范 (IEC 60286-3)

产品PIN数	载带宽度 (W)	包装数/大箱 (370*370*340)	包装数/中箱 (340*340*180)	包装数/小箱 (340*340*100)
12 P	24mm	9	5	3
16 P	32mm	7	4	2
20 P	32mm	7	4	2
26 P	44mm	6	3	2
32 P	56mm	5	2	1
40 P	56mm	5	2	1
50 P	56mm	5	2	1
68 P	72mm	4	2	1
80 P	72mm	4	2	1

GENERAL X. ** . X ** . XX ** . XXX **	ANGLES X° . ** . X° ** . XX° **	益鑫通精密电子有限公司 YIT Precision Electronics Co., Ltd.
GENERAL TOLERANCES UNLESS OTHERWISE SPECIFIED		
UNIT: mm		SIZE A4 P/N : SMC10-R**6B*-00
SHEET 2 OF 2 SCALE 1:1		REV. A DWG NO. : C-SMC10-14-00