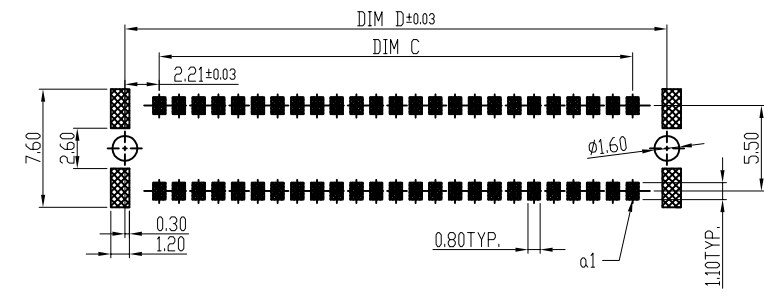
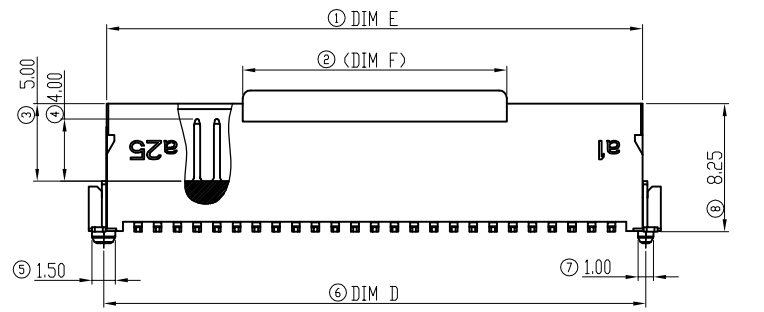
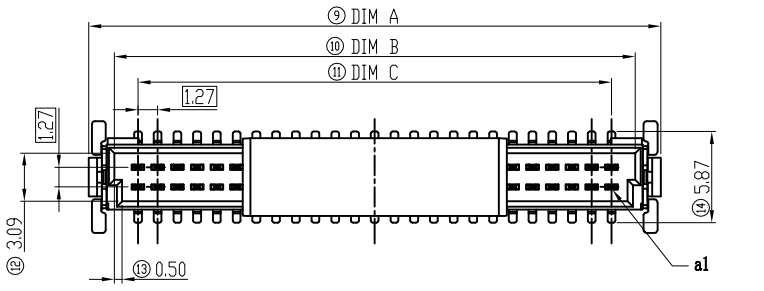
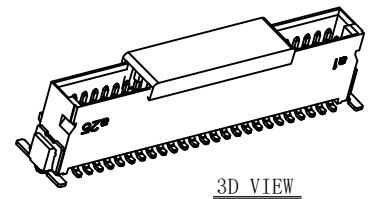


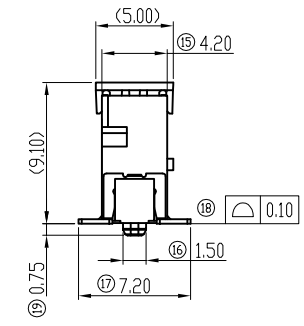
RoHS



RECOMMENDED PCB LAYOUT (TOLERANCE: ±0.05)



3D VIEW



REV.	ECR	DESCRIPTION	REVISOR	CHECKED	APPROVED
A	EN-0101-220091	NESW RELEAE	ZUYU JIANG	DAVID WANG	LV

备注 (NOTES)

- 材料 (MATERIAL)
 - 塑胶 (INSULATOR) : LCP, 阻燃等级UL94V-0, 颜色: 黑色 LCP, UL94V-0, BLACK COLOR.
 - 端子 (CONTACT) : 铜合金 COPPER ALLOY, 电镀: 接触区域镀金, 焊接区域镀锡; 整体镍底 COPPER ALLOY, GOLD PLATED ON CONTACT AREA; MATTE-TIN PLATED ON SOLDER AREA; NICKEL UNDERPLATED OVERALL;
 - 接地片 (HD) : 铜合金 COPPER ALLOY MATTE-TIN PLATED ON SOLDER AREA; NICKEL UNDERPLATED OVERALL;
- 电气特性 (ELECTRICAL SPECIFICATION) :
 - 额定电流 (CURRENT RATING) : 1.7A MAX. AC / DC
 - 耐电压 (WITHSTANDING VOLTAGE) : 500V AC FOR 1 MINUTE.
 - 绝缘电阻 (INSULATION RESISTANCE) : 100MΩ MIN. DC 500V.
 - 接触阻抗 (CONTACT RESISTANCE) : 25mΩ MAX.
- 机械特性 (MECHANICAL SPECIFICATION)
 - 耐久 (DURABILITY) : 100 CYCLES
- 环境特性 (ENVIRONMENTAL SPECIFICATION)
 - 工作温度 (OPERATING TEMPERATURE) : -40° C ~ +125° C.

80	55.88	52.59	49.53	53.95	53.55	17.0
68	48.26	44.97	41.91	46.33	45.93	
50	36.83	33.54	30.48	34.90	34.50	
40	30.48	27.19	24.13	28.55	28.15	
32	25.40	22.11	19.05	23.47	23.07	
26	21.59	18.30	15.24	19.66	19.26	5.60
20	17.78	14.49	11.43	15.85	15.45	
16	15.24	11.95	8.89	13.31	12.91	
12	12.70	9.41	6.35	10.77	10.37	
PIN NO.	DIM. A	DIM. B	DIM. C	DIM. D	DIM. E	DIM. F

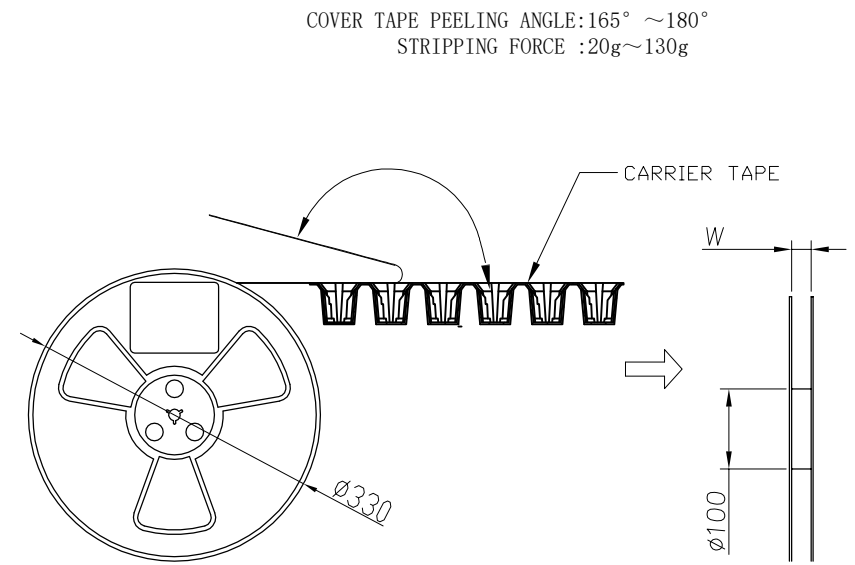
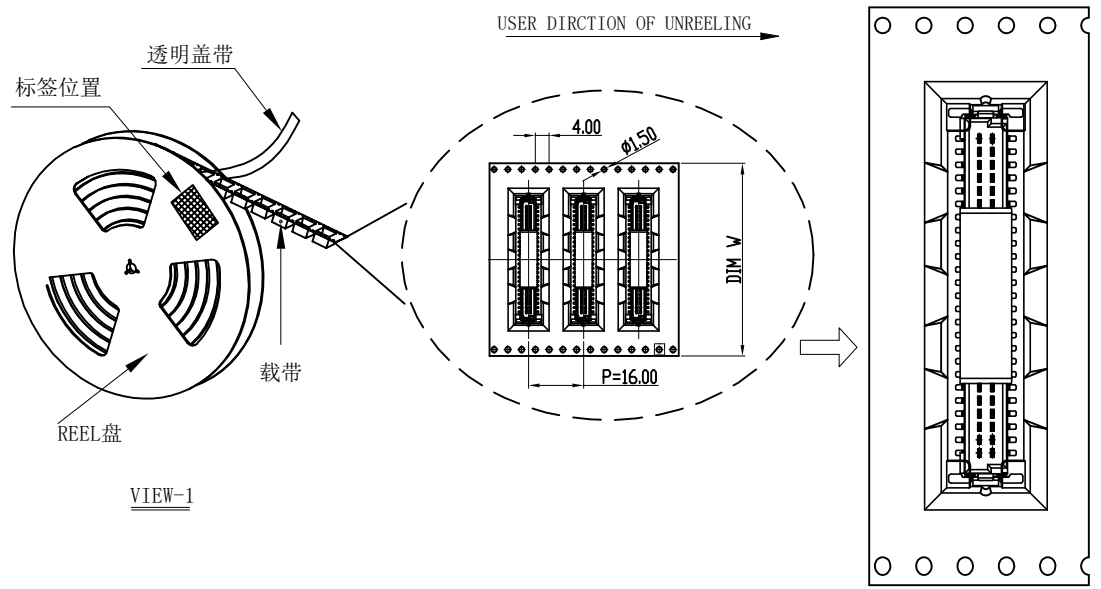
SMC10 - P ** 3 B * - 00

产品系列 ———— 公端 ———— PIN 数 ———— 产品高度: 8.25mm

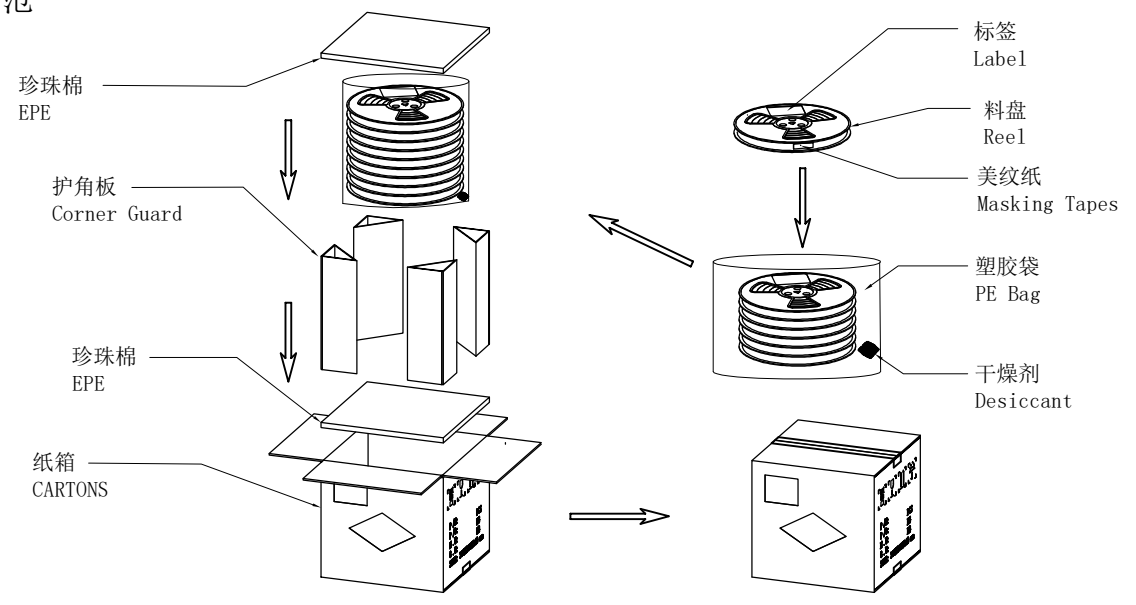
备用码 ———— 电镀: 1. Contact G/F 3. Contact 5u'' Gold 5. Contact 15u'' Gold ———— 塑胶颜色: 黑色

DRAWN	DATE	GENERAL	ANGLES	YXT 益鑫通精密电子有限公司 YIT Precision Electronics Co., Ltd.	
DESIGN	DATE	X. ±0.38 .X ±0.25 .XX ±0.13 .XXX ±0.05	X° ±3.0° .X° ±2.0° .XX° ±1.0°	TITLE :	
CHECKED	DATE	GENERAL TOLERANCES UNLESS OTHERWISE SPECIFIDE		PITCH 1.27mm FOR 180° SMT SMC10 CONN. (H=8.25)	
APPROVED	DATE	UNIT: mm	SCALE 1:1	SIZE A4	P/N : SMC10-P**3B*-00
CUSTOMER DRAWING		SHEET 1 OF 2		REV. A	DWG NO. : C-SMC10-11-00

RoHS



包装规范



- 备注:
1. 产品包装方向须一致;
 2. 载带前后空格一16pcs;
 3. 装满成品之纸箱, 最大堆积箱数: 5箱;
 4. 包装数量350PCS/盘
 5. 包装上封带为透明封带, 采用热封方式。
 6. 订单数少于Q' TY/2 时, 散盘包装 (不用REEL盘)
 7. 符合包装通用规范 (IEC 60286-3)

产品PIN数	载带宽度 (W)	包装数/大箱 (370*370*340)	包装数/中箱 (340*340*180)	包装数/小箱 (340*340*100)
12 P	24mm	9	5	3
16 P	32mm	7	4	2
20 P	32mm	7	4	2
26 P	44mm	6	3	2
32 P	56mm	5	2	1
40 P	56mm	5	2	1
50 P	56mm	5	2	1
68 P	72mm	4	2	1
80 P	72mm	4	2	1

GENERAL X. ** . X ** . XX ** . XXX **	ANGLES X° . ** . X° ** . XX° **	益鑫通精密电子有限公司 YIT Precision Electronics Co., Ltd.
GENERAL TOLERANCES UNLESS OTHERWISE SPECIFIED		
UNIT: mm		TITLE : PACKAGING OF PITCH 1.27mm FOR 180° SMT SMC10 CONN. (H=8.25)
SHEET 2 OF 2	SCALE 1:1	SIZE A4 P/N : SMC10-P**3B*-00 REV. A DWG NO. : C-SMC10-11-00