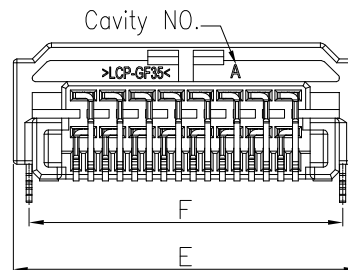
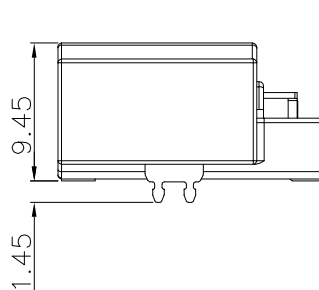
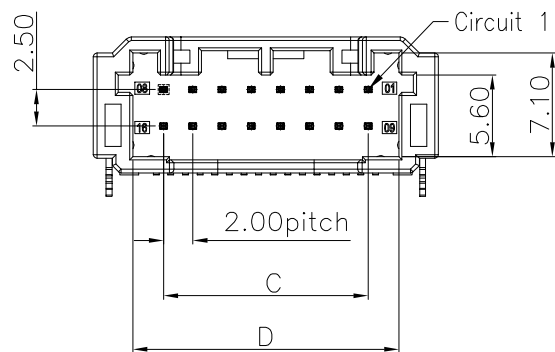
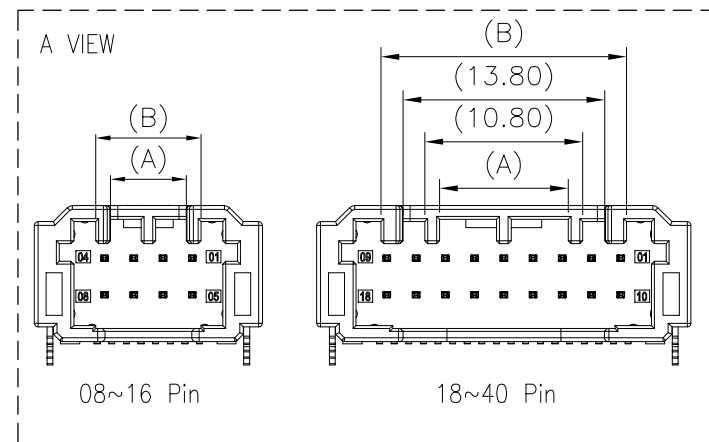
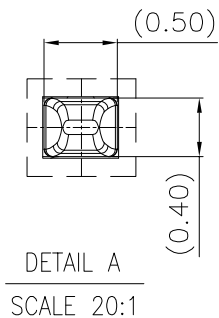
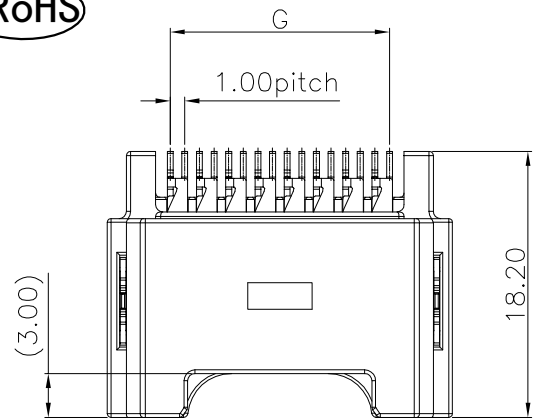


RoHS

REV.	ECR	DESCRIPTION	DATE	REVISOR	CHECKED	APPROVED
A	-	NEW RELEASE	09/10/21'	Menger	David	Will

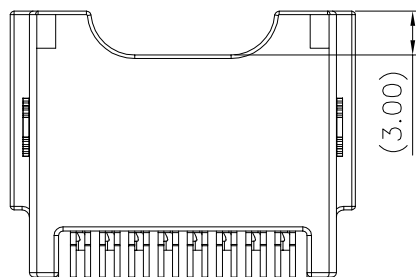


WTB30 - * B 1 ** H * 1 - 001
1 2 3 4 5 6 7 8 9

- PRODUCT SERIES
- CODING NO. : A-Coding A; B-Coding B; C-Coding C; D-Coding D;
- B: BOARD
- 1: DOUBLE ROW
- ** : 08~40 POSITIONS
- H: HORIZONTAL
- COLOR: B: BLACK W: WHITE N: NATURAL
- PLATED: 1-Sn
- EXTEND CODE

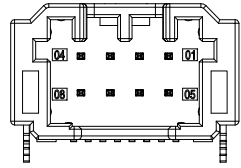
Specifications:

- Voltage Rating:50V AC/DC
- Current Rating:3A AC/DC
- Withstanding Voltage:1000V AC/Minute
- Temperature Range:-40°C~+125°C
- Insulation Resistance:100MΩ Min./500V DC/Minute
- Contact Resistance:≤10mΩ (Initial), ≤20mΩ (After Testing)
- Mates With Housing:WTB30-*W1**H*1-001
- Product Specification:CSP-WTB30-00-01

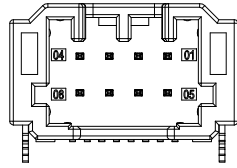


DRAWN Menger	DATE 09/10/21'	GENERAL . X ±0.35 . XX ±0.25 . XXX ±0.15	ANGLES X° ±3.0°	 YXT Precision Electronics Co.,Ltd.
DESIGN Menger	DATE 09/10/21'	GENERAL TOLERANCES UNLESS OTHERWISE SPECIFIED		
CHECKED David	DATE 09/10/21'	UNIT: mm SCALE 2:1		TITLE Pitch 2.0mm Double Row Board Side Connector
APPROVED Will Gao	DATE 09/10/21'	SHEET 1 OF 2		SIZE A4 P/N WTB30-*B1**H*1-001 REV. A DWG NO. C-WTB30-2P-01-0001
CUSTOMER DRAWING				

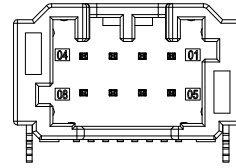
RoHS



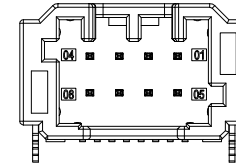
Coding A



Coding B

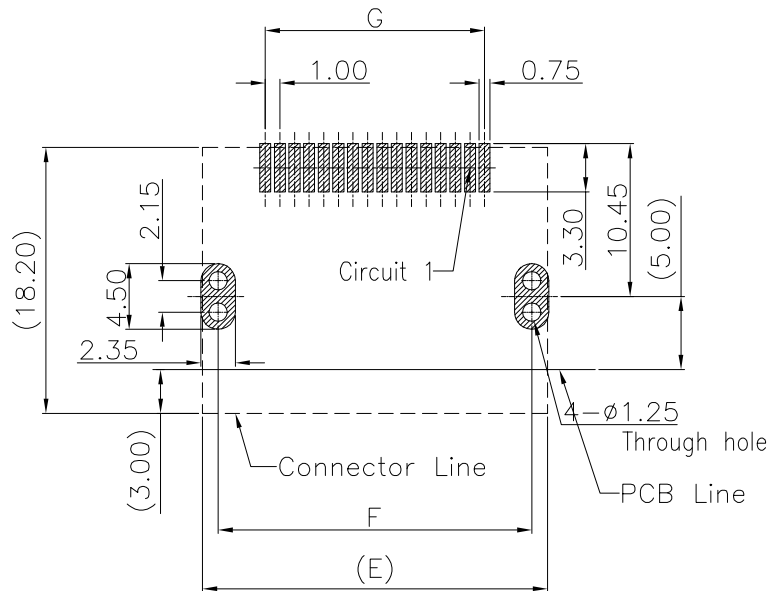


Coding C



Coding D

Reserved Coding type



Recommended P.C.B Layout(T=1.6mm)

General tolerance ± 0.05

Poles	Dimensions/mm						
	A	B	C	D	E	F	G
08	5.20	7.20	6.00	10.20	15.60	13.45	7.00
10	6.80	9.20	8.00	12.20	17.60	15.45	9.00
12	8.80	11.20	10.00	14.20	19.60	17.45	11.00
14	8.80	12.80	12.00	16.20	21.60	19.45	13.00
16	8.80	14.80	14.00	18.20	23.60	21.45	15.00
18	8.80	16.80	16.00	20.20	25.60	23.45	17.00
20	8.80	18.80	18.00	22.20	27.60	25.45	19.00
22	8.80	20.80	20.00	24.20	29.60	27.45	21.00
24	8.80	22.80	22.00	26.20	31.60	29.45	23.00
26	8.80	24.80	24.00	28.20	33.60	31.45	25.00
28	8.80	26.80	26.00	30.20	35.60	33.45	27.00
30	8.80	28.80	28.00	32.20	37.60	35.45	29.00
32	8.80	30.80	30.00	34.20	39.60	37.45	31.00
34	8.80	32.80	32.00	36.20	41.60	39.45	33.00
36	8.80	34.80	34.00	38.20	43.60	41.45	35.00
38	8.80	36.80	36.00	40.20	45.60	43.45	37.00
40	8.80	38.80	38.00	42.20	47.60	45.45	39.00

DRAWN	DATE	GENERAL . X ± 0.35 . XX ± 0.25 . XXX ± 0.15	ANGLES X° $\pm 3.0^\circ$	YXT 益鑫通精密电子有限公司 YXT Precision Electronics Co.,Ltd.	
Menger	09/10/21'				
DESIGN	DATE				
Menger	09/10/21'				
CHECKED	DATE	GENERAL TOLERANCES UNLESS OTHERWISE SPECIFIDE		TITLE	
David	09/10/21'			Pitch 2.0mm Double Row Board Side Connector	
APPROVED	DATE	UNIT: mm	SCALE 2:1	SIZE A4	P/N WTB30- *B1*H*1-001
Will Gao	09/10/21'			REV. A	DWG NO. C-WTB30-2P-01-0001
CUSTOMER DRAWING	SHEET 2 OF 2				