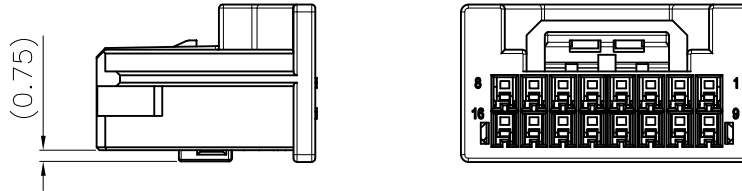
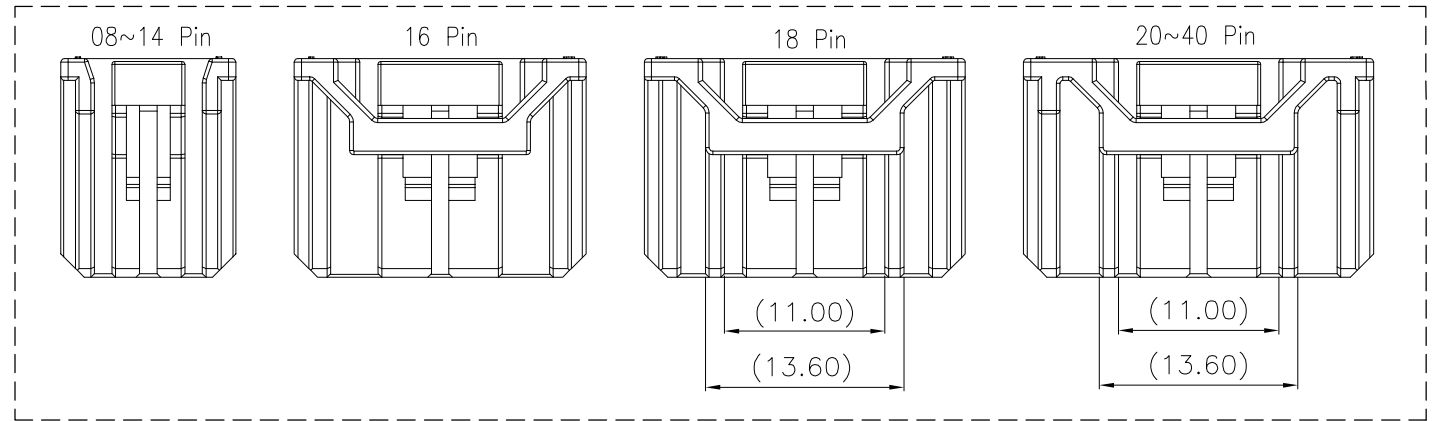
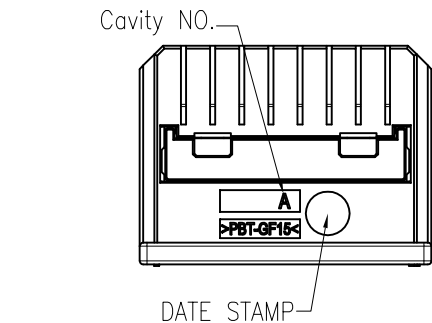
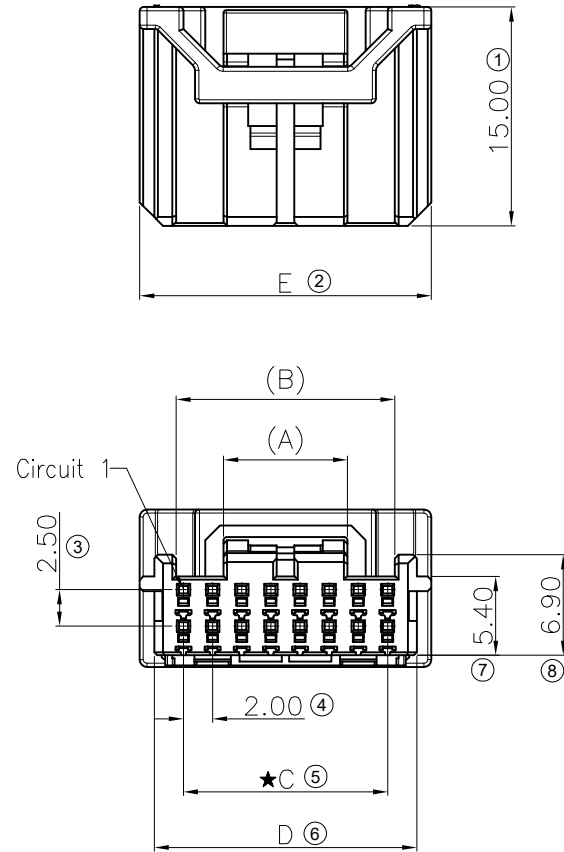


RoHS

REV.	ECN	DESCRIPTION	DATE	REVISOR	CHECKED	APPROVED
A	NEW RELEASE	NEW RELEASE	09/10/21'	Menger	Will	Thomas



■ Specifications :

- Voltage rating: 50V Max. AC/DC
- Withstanding voltage: 1000V AC/minute
- Temperature range: -40°C~+125°C
- Insulation resistance: 100MΩ min./500V DC/Minute
- Mates With Terminal: T-WTB30-W110-001
- Symbols for SPC dimensions: " ★ "

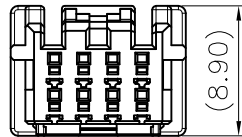
Poles	Dimensions/mm				
	A	B	C	D	E
08	5.00	7.40	6.00	10.00	12.00
10	6.50	9.40	8.00	12.00	14.00
12	8.50	11.40	10.00	14.00	16.00
14	8.50	13.00	12.00	16.00	18.00
16	8.50	15.00	14.00	18.00	20.00
18	8.50	17.00	16.00	20.00	22.00
20	8.50	19.00	18.00	22.00	24.00
22	8.50	21.00	20.00	24.00	26.00
24	8.50	23.00	22.00	26.00	28.00
26	8.50	25.00	24.00	28.00	30.00
28	8.50	27.00	26.00	30.00	32.00
30	8.50	29.00	28.00	32.00	34.00
32	8.50	31.00	30.00	34.00	36.00
34	8.50	33.00	32.00	36.00	38.00
36	8.50	35.00	34.00	38.00	40.00
38	8.50	37.00	36.00	40.00	42.00
40	8.50	39.00	38.00	42.00	44.00

WTB30 - \*  $\frac{W}{1}$   $\frac{1}{2}$  \*\*  $\frac{H}{4}$   $\frac{*}{5}$   $\frac{1}{6}$  -  $\frac{*}{7}$   $\frac{1}{8}$  -  $\frac{001}{9}$

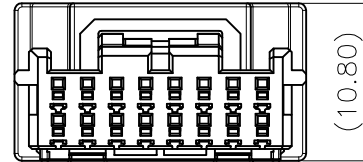
- PRODUCT SERIES
- CODING NO. : A-Coding A; B-Coding B; C-Coding C; D-Coding D;
- W: WIRE SIDE
- 1: DOUBLE ROW
- \*\* : PIN NO. 08 ~40: 40 POSITIONS
- H: HORIZONTAL
- B: BLACK W: WHITE N: NATURAL
- MATED CONTACT PLATING: 1-Sn
- EXTEND CODE

DRAWN Menger	DATE 09/10/21'	GENERAL . X ±0.35 . XX ±0.25 . XXX ±0.15	ANGLES X° ±3.0°	益鑫通精密电子有限公司 YXT Precision Electronics Co.,Ltd.
DESIGN Menger	DATE 09/10/21'	GENERAL TOLERANCES UNLESS OTHERWISE SPECIFIED		
CHECKED David	DATE 09/10/21'	UNIT: mm		TITLE Pitch 2.0mm Double Row WTB30 Connector Housing
APPROVED Will Gao	DATE 09/10/21'	SCALE 2:1	SIZE A4	P/N WTB30- $\frac{W}{1}$ ** $\frac{H}{4}$ $\frac{*}{5}$ $\frac{1}{6}$ - $\frac{*}{7}$ $\frac{1}{8}$ -001
CUSTOMER DRAWING	SHEET 1 OF 2	REV. A	DWG NO. C-WTB30-2W-01-0001	

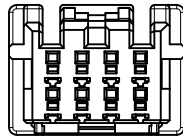
RoHS



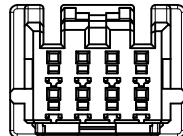
2\*04~2\*07 Pin



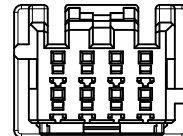
2\*08~2\*20 Pin



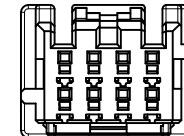
Coding A



Coding B




Coding C



Coding D

Reserved Coding type

DRAWN	DATE	GENERAL .X ±0.35 .XX ±0.25 .XXX ±0.15	ANGLES X° ±3.0°	 <b>YXT</b> 益鑫通精密电子有限公司 YXT Precision Electronics Co.,Ltd.
Menger	09/10/21'			
DESIGN	DATE			
Menger	09/10/21'	TITLE	Pitch 2.0mm Double Row WTB30 Connector Housing	
CHECKED	DATE	GENERAL TOLERANCES UNLESS OTHERWISE SPECIFIED		SIZE A4
David	09/10/21'	UNIT: mm		P/N WTB30-2W-01-001
APPROVED	DATE	SCALE 2:1		REV. A
Will Gao	09/10/21'	SHEET 2 OF 2		DWG NO. C-WTB30-2W-01-0001
CUSTOMER DRAWING				