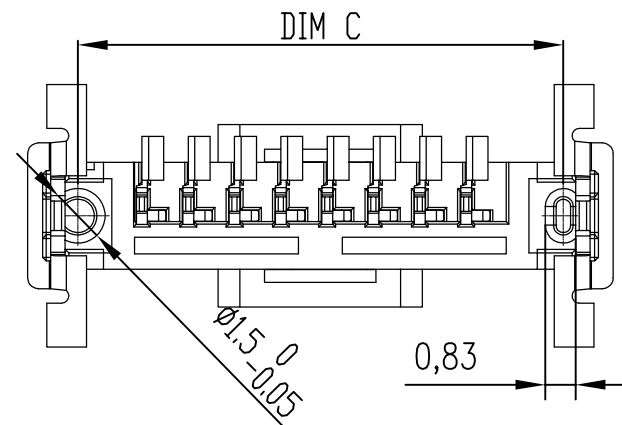
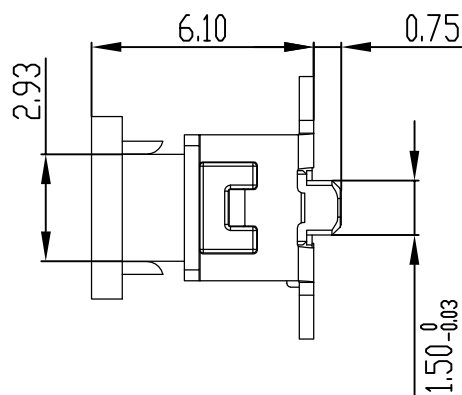
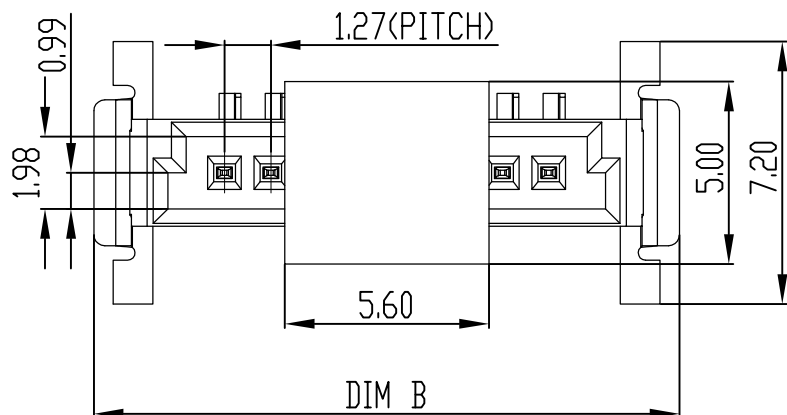
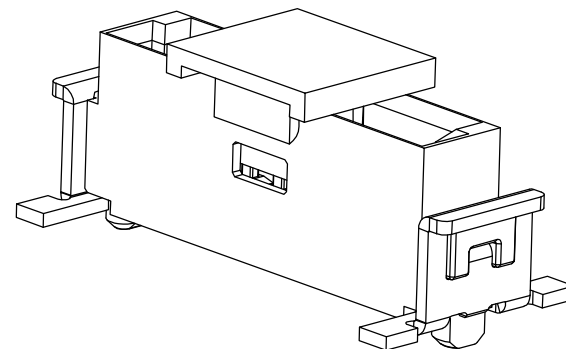
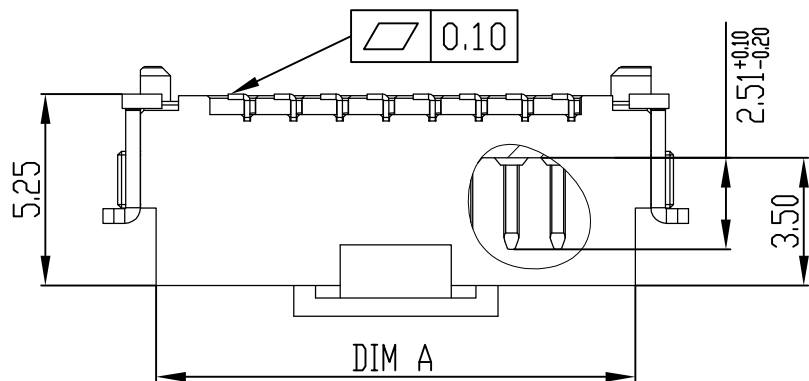



RoHS

REV.	ECR	DESCRIPTION	DATE	REVISOR	CHECKED	APPROVED
A	BCR19003	NEW RELEASE	01/29/19'	TYLER	JASON BIAN	DICKSON GUAN
B	BCR20019	ADD RoHS LABEL	10/19/20'	ALBERT SHI	OLIVER	JIMMY
B1		ADD DIM	02/26/22'	MENGER	M.Y	LYG
B2		Correct Mistakes	04/25/22'	MENGER	M.Y	LYG



DRAWN	DATE	GENERAL	ANGLES	 YXT 益鑫通精密电子有限公司 YXT Precision Electronics Co., Ltd.
MENGER	04/25/22'	X. ±0.38	X°. ±3.0°	
DESIGN	DATE	.X ±0.25	.X°. ±2.0°	
MENGER	04/25/22'	.XX ±0.13	.XX°. ±1.0°	
CHECKED	DATE	.XXX ±0.05		TITLE
M.Y	04/25/22'	GENERAL TOLERANCES UNLESS OTHERWISE SPECIFIED		Pitch 1.27 Single row WTB Connector
APPROVED	DATE			SIZE A4
LYG	04/25/22'			P/N
CUSTOMER DRAWING	SHEET 1 OF 3	UNIT: mm		WTB20-BOXVB02
		SCALE 5:1		REV. B2
				DWG NO.
				C-WTB20-1P-02

PRODUC NUMBERING CODE:

POSITIONS	DIM A	DIM B	DIM C	DIM D ^②
02	5.52 ^②	8.44	5.69	1.27
03	6.79	9.71	6.96	2.54
04	8.06	10.98	8.23	3.81
06	10.60	13.52	10.77	6.35
08	13.14	16.06	13.31	8.89
10	15.68	18.60	15.85	11.43

WTB20-B 0 XX V B 02

--- -- -- -- --
1 2 3 4 5 6 7

1.PRODUCTION CODE:

1.27mm PITCH WTB

2.B:MALE

3.0:SINGLE

4.POSITIONS: XX POSITIONS

5.V: Vertical

6.B: BLACK

7.0: GOLD-PLATING

1. MATERIAL

1.1 INSULATOR: HIGHT TEMPERATURE PLASTIC, UL94V-0, BLACK COLOR.

1.2 CONTACT: COPPER ALLOY, GOLD PLATED(SEE ORDER INFORMATION)
IN CONTACT AREA, MATTE-TIN PLATED IN SOLDER
AREA, NICKEL UNDERPLATED OVERALL.

1.3 LATCH: COPPER ALLOY, TIN PLATED, NICKEL UNDERPLATED OVERALL.

2. SPECIFICATIONS:

2.1 CURRENT RATING: 4A MAX DEPENDS ON THE CABLE.

2.2 WITHSTANDING VOLTAGE: 500V AC FOR A MINUTE.

2.3 INSULATION RESISTANCE: 100M OHMS MIN. DC 500V.

2.4 CONTACT RESISTANCE: 25mΩ MAX.

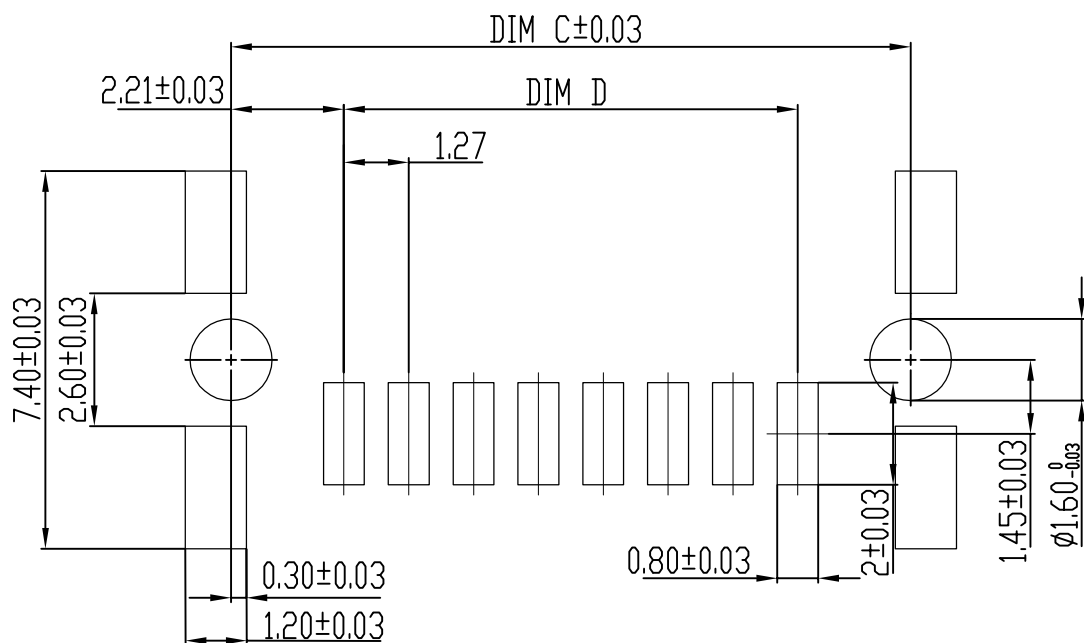
2.5 OPERATING TEMPERATURE: -40° C ~ +125° C.


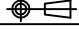
3. APPLICATION:

3.1 MATES WITH WIRE CONNECTOR:

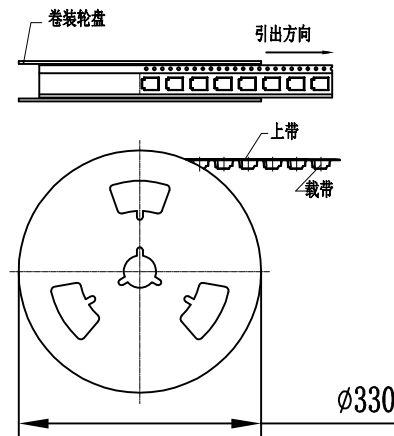
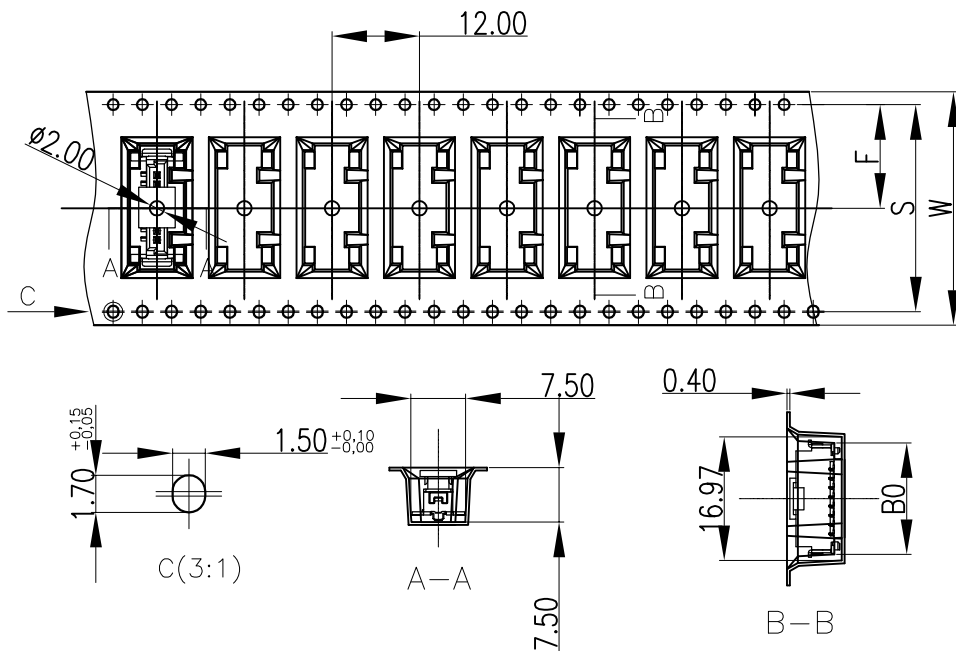
WTB20-WOXXHBX2 (DOCUMENT NO:C-WTB20-1W-03).

WTB20-WOXXRBX2 (DOCUMENT NO:C-WTB20-1W-02).



DRAWN	DATE	GENERAL	ANGLES	 益鑫通精密电子有限公司 YXT Precision Electronics Co.,Ltd.
MEMGER	04/25/22'	X. ±0.38	X°. ±3.0°	
DESIGN	DATE	.X ±0.25	.X° ±2.0°	
MEMGER	04/25/22'	.XX ±0.13	.XX° ±1.0°	TITLE
CHECKED	DATE	.XXX ±0.05		
M. Y	04/25/22'	GENERAL TOLERANCES UNLESS OTHERWISE SPECIFIED		Pitch 1.27 Single row WTB Connector
APPROVED	DATE			
LYG	04/25/22'		UNIT: mm	SIZE A4
CUSTOMER DRAWING	SHEET 2 OF 3	SCALE 5:1	REV. B2	P/N WTB20-00XXVB02
			DWG NO.	C-WTB20-1P-02

RoHS



备注：

1. 10个边孔的累计公差不能超过 $\pm 0.2\text{mm}$.
2. 材料规格：PS 黑色防静电，厚度 0.5 mm.
3. 载带在 250mm长度以内最大弯曲度不超过 1mm.
4. 所有尺寸设计参照 EIA-481-C-2003.
5. 包装数量：650pcs/Reel

	WTB20-B002VB02	WTB20-B003VB02	WTB20-B004VB02	WTB20-B006VB02	WTB20-B008VB02	WTB20-B010VB02
W	24.00±0.30	24.00±0.30	24.00±0.30	32.00±0.30	32.00±0.30	32.00±0.30
S	NA	NA	NA	28.40±0.10	28.40±0.10	28.40±0.10
F	11.50±0.15	11.50±0.15	11.50±0.15	14.20±0.15	14.20±0.15	14.20±0.15
B0	7.68±0.10	8.95±0.10	10.22±0.10	12.76±0.10	15.30±0.10	17.84±0.10

产品料号	包装数/Reel	包装数/外箱
WTB20-B002VB02	650	6500
WTB20-B003VB02	650	6500
WTB20-B004VB02	650	6500
WTB20-B006VB02	650	6500
WTB20-B008VB02	650	5200
WTB20-B010VB02	650	5200

DRAWN	DATE	GENERAL	ANGLES	益鑫通精密电子有限公司 YXT Precision Electronics Co., Ltd.
MENGER	04/25/22'	X. ±0.38	X°. ±3.0°	
DESIGN	DATE	.X ±0.25	.X°. ±2.0°	TITLE
MENGER	04/25/22'	.XX ±0.13	.XX°. ±1.0°	
CHECKED	DATE	.XXX ±0.05		Pitch 1.27 Single row WTB Connector
M. Y	04/25/22'			
APPROVED	DATE	GENERAL TOLERANCES UNLESS OTHERWISE SPECIFIED		SIZE A4 P/N WTB20-BOXVB02
LYG	04/25/22'		UNIT: mm	
CUSTOMER DRAWING		SHEET 3 OF 3	SCALE 5:1	REV. B2 DWG NO. C-WTB20-1P-02