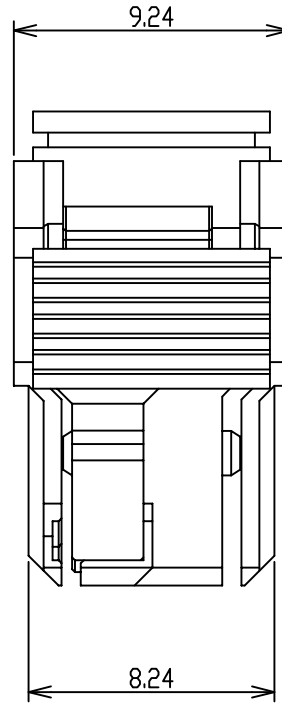
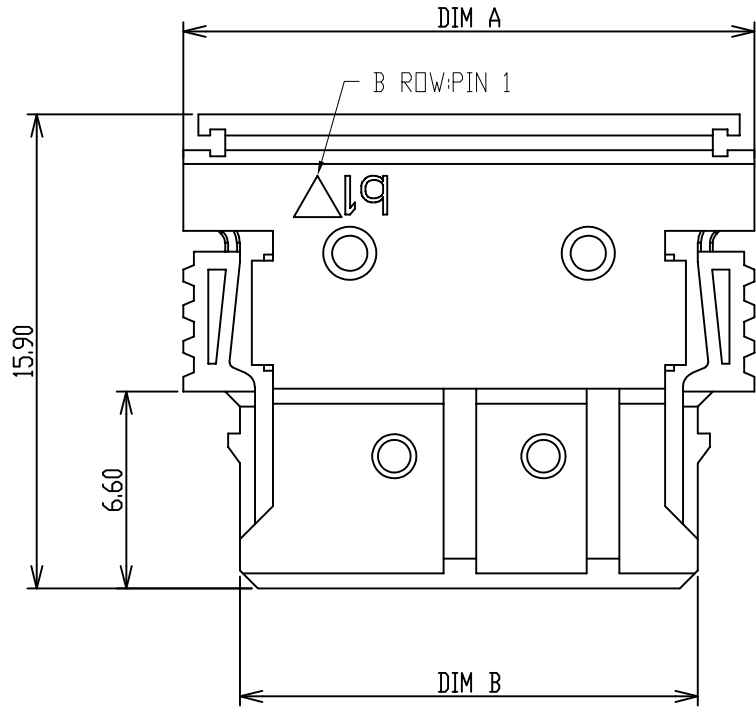
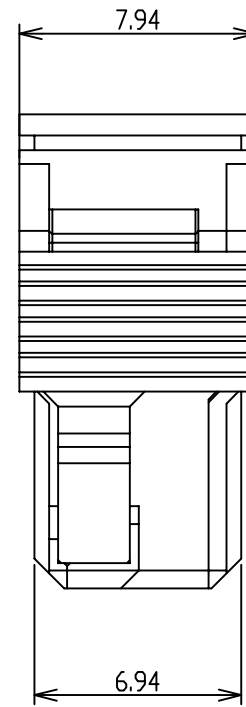


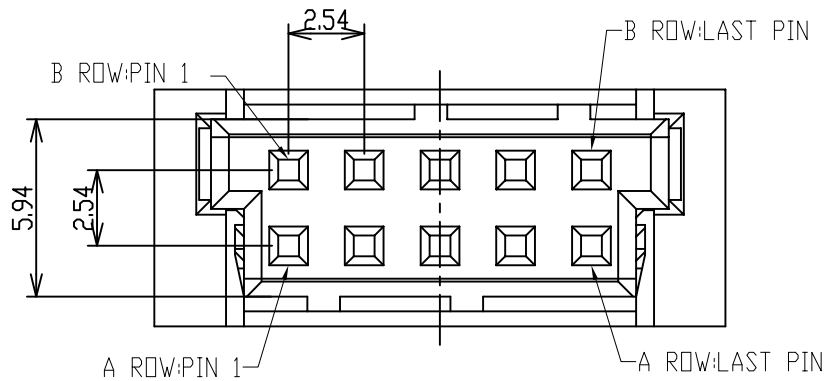
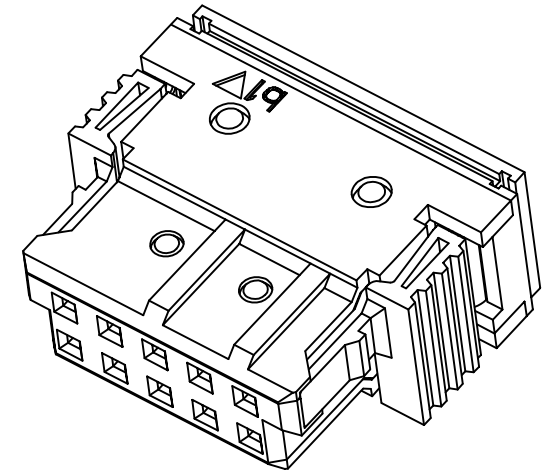
RoHS



COVER LOOSE MOUNTED


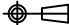


COVER PRESSED ON

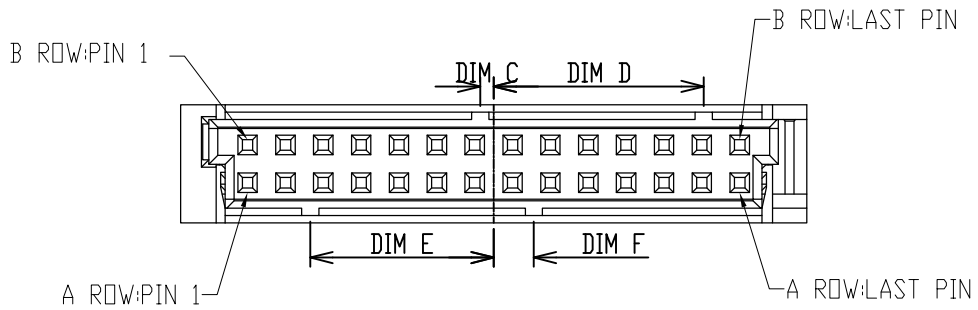


ITEM	DIM A	DIM B
10PIN	19.16	15.36
20PIN	31.86	28.0600
24PIN	36.94	33.14
28PIN	42.02	38.22
38PIN	54.72	50.92

REV.	ECR	DESCRIPTION	DATE	REVISOR	CHECKED	APPROVED
A		NEW RELEASE		WDD	LW	WF
A1		ADD PART NUMBER	2021/10/15	WDD	LW	WF
A2		Description PIN Order	2021/12/27	JACK	MANGER	LYG
A3		CHANGE CURRENT RATING	2022/01/08	JACK	MANGER	LYG
A4		ADD 20PIN NATURAL	2022/02/25	MENGER	M.Y	LYG
A5		ADD 20PIN NATURAL CODE	2022/03/05	MENGER	M.Y	LYG

DRAWN MENGER	DATE 2022/03/5	GENERAL X: ±0.38 .X ±0.25 .XX ±0.13 .XXX ±0.05	ANGLES X°: ±3.0° .X° ±2.0° .XX° ±1.0°	 YXT 益鑫通精密电子有限公司 YXT Precision Electronics Co., Ltd.		
DESIGN MENGER	DATE 2022/03/5					
CHECKED M.Y	DATE 2022/03/5	GENERAL TOLERANCES UNLESS OTHERWISE SPECIFIED			SIZE A4	P/N WTBI0-W1XXHX0X
APPROVED LYG	DATE 2022/03/5	 UNIT: mm	SCALE 4:1	REV. A5	DWG NO. C-WTB10-2W-00	
CUSTOMER DRAWING		SHEET 1 OF 3				

RoHS



(A5)

	20PIN TYPE A	20PIN TYPE B	28PIN TYPE A	28PIN TYPE B	28PIN TYPE C
DIM C	0.6	8.2	0.90	3.00	12.00
DIM D	11.4	11.4	14.10	12.00	3.00
DIM E	10.2	10.2	12.30	12.00	3.00
DIM F	1.8	9.4	2.70	3.00	12.00

PRODUCT NUMBER CODE

$\frac{WTB10}{①}$ - $\frac{W}{②}$ $\frac{1}{③}$ $\frac{XX}{④}$ $\frac{H}{⑤}$ $\frac{X}{⑥}$ 0 $\frac{X}{⑦}$

- ① PRODUCT:
WTB10 : 2.54mm PITCH WTB CONNECTOR
- ② TYPE 1:
W: WIRE
- ③ TYPE 2:
1: DOUBLE ROW
- ④ PRODUCT
XX: XX POSITIONS
- ⑤ PRODUCT
H: HORIZONTAL
- ⑥ COLOR
B: BLACK
G: GREEN
Z: BROWN
N: NATURAL
- ⑦ CODE:
0: TYPE A
1: TYPE B
2: TYPE C

1. MATERIAL

1.1 INSULATOR: HIGHT TEMPERATURE PLASTIC, UL94V-0, BLACK COLOR.

2. SPECIFICATIONS:

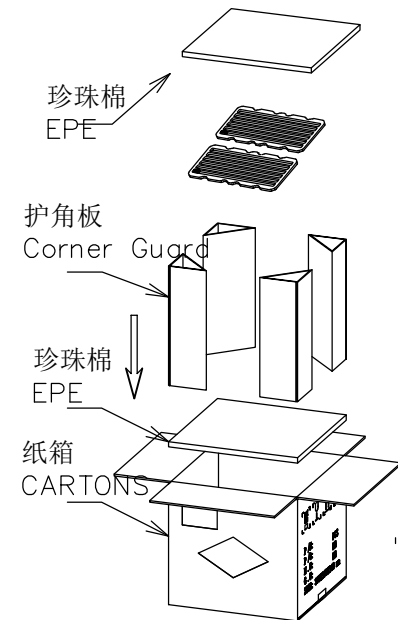
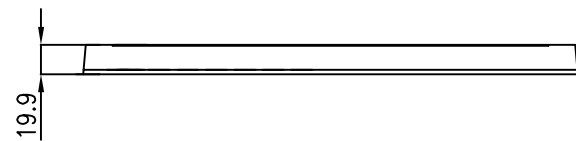
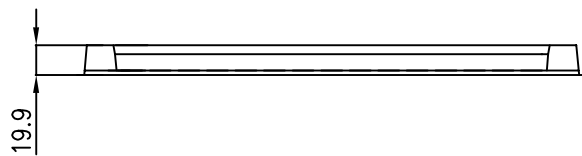
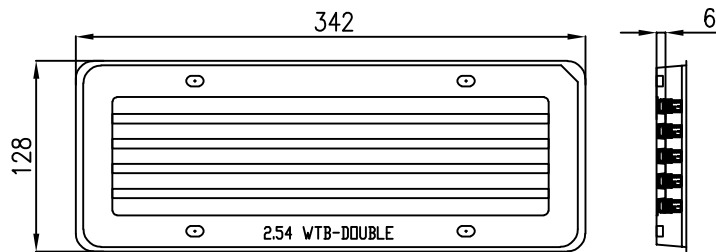
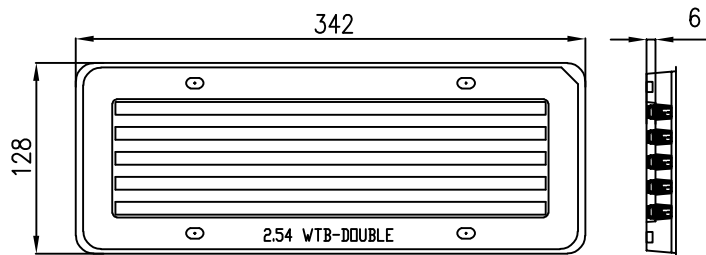
- 2.1 CURRENT RATING: 8A MAX DEPENDS ON THE CABLE.
- 2.2 WITHSTANDING VOLTAGE: 500V AC FOR A MINUTE.
- 2.3 INSULATION RESISTANCE: 100M OHMS MIN. DC 500V.
- 2.4 CONTACT RESISTANCE: 10mΩ MAX.
- 2.5 OPERATING TEMPERATURE: -40°C ~ +125°C.

3. APPLICATION:

- 3.1 MATES WITH WIRE CONNECTOR:
WTB10-B1XXHBX0(DOCUMENT NO:C-WTB10-2P-01).
WTB10-B1XXVBX0(DOCUMENT NO:C-WTB10-2P-00)

DRAWN	DATE	GENERAL X. ±0.38 .X ±0.25 .XX ±0.13 .XXX ±0.05	ANGLES X° ±3.0° .X° ±2.0° .XX° ±1.0°	益鑫通精密电子有限公司 YXT Precision Electronics Co., Ltd.				
MENGER	2022/03/5							
DESIGN	DATE	GENERAL TOLERANCES UNLESS OTHERWISE SPECIFIED			TITLE Pitch 2.54mm Double Row WTB Connector			
MENGER	2022/03/5							
CHECKED	DATE	UNIT: mm			SIZE	A4	P/N	WTB10-W1XXHX0X
M.Y	2022/03/5				SCALE	1:1	REV.	A5
APPROVED	DATE	CUSTOMER DRAWING						
LYG	2022/03/5	SHEET 2 OF 3						


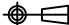
RoHS



产品料号	包装数/TRAY	包装数/外箱
WTB10-W110HX0X	75	1500
WTB10-W120HX0X	45	900
WTB10-W128HX0X	30	600
WTB10-W138HX0X	25	500

备注：

1. 外箱包装尺寸为 370mm*370mm*340mm
2. 单个外箱四周用泡棉防护

DRAWN	DATE	GENERAL X. ±0.38 .X ±0.25 .XX ±0.13 .XXX ±0.05	ANGLES X°. ±3.0° .X° ±2.0° .XX° ±1.0°	 益鑫通精密电子有限公司 YXT Precision Electronics Co., Ltd.
MENGER	2022/03/5			
DESIGN	DATE	GENERAL TOLERANCES UNLESS OTHERWISE SPECIFIED		TITLE
MENGER	2022/03/5			Pitch 2.54mm Double Row WTB Connector
CHECKED	DATE	 UNIT: mm	SIZE	A4
M.Y	2022/03/5		P/N	WTB10-W1XXHX0X
APPROVED	DATE	CUSTOMER DRAWING	SHEET	3 OF 3
LYG	2022/03/5	SCALE	1:1	REV. A5
		DWG	NO.	C-WTB10-2W-00