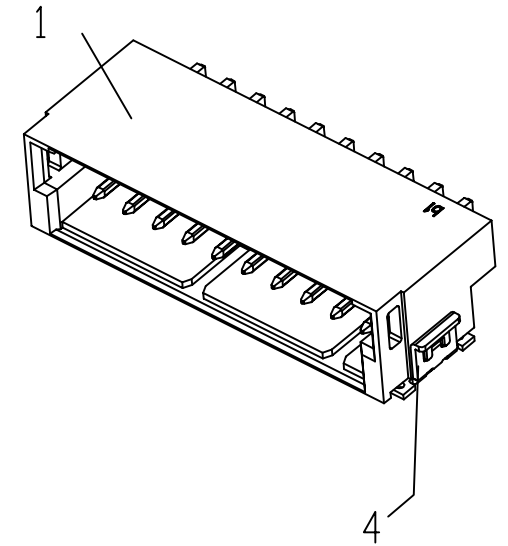
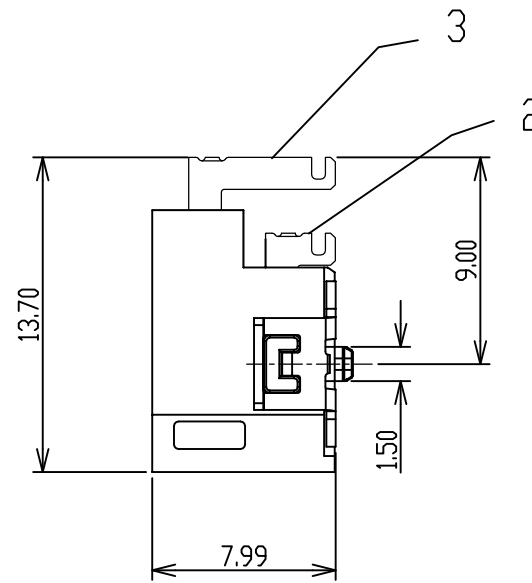
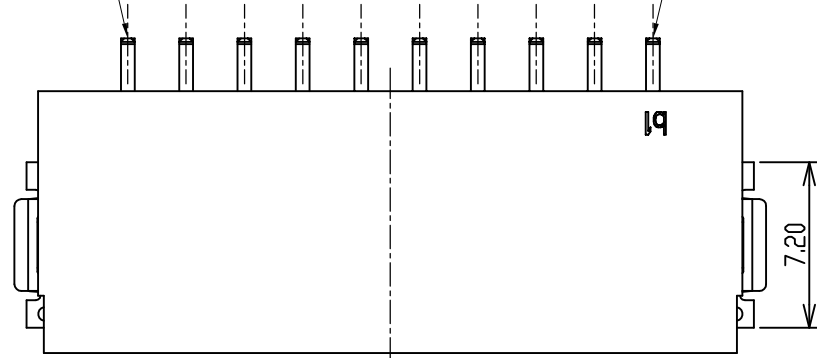


RoHS

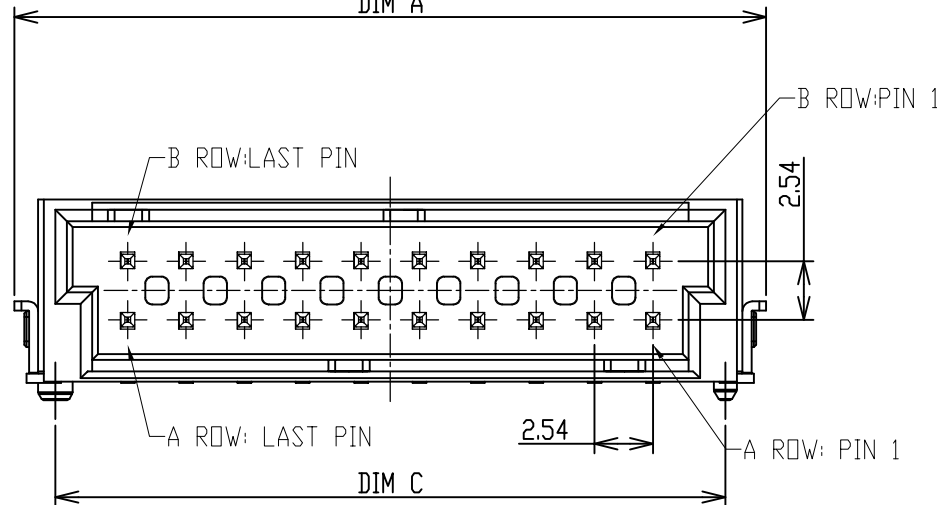
REV.	ECR	DESCRIPTION	DATE	REVISOR	CHECKED	APPROVED
A		NEW RELEASE		WDD	LW	WF
B	ECR20019	Add RoHS label	9/16/20'	ALBERT SHI	OLIVER CHEN	JIMMY NI
B1		CHANGE CURRENT PATING	1/8/22'	JACK XU	MANGER YANG	LYG
B2		Change the structure	4/24/22'	JACK XU	MANGER YANG	LYG

B ROW: LAST PIN

B ROW: PIN 1

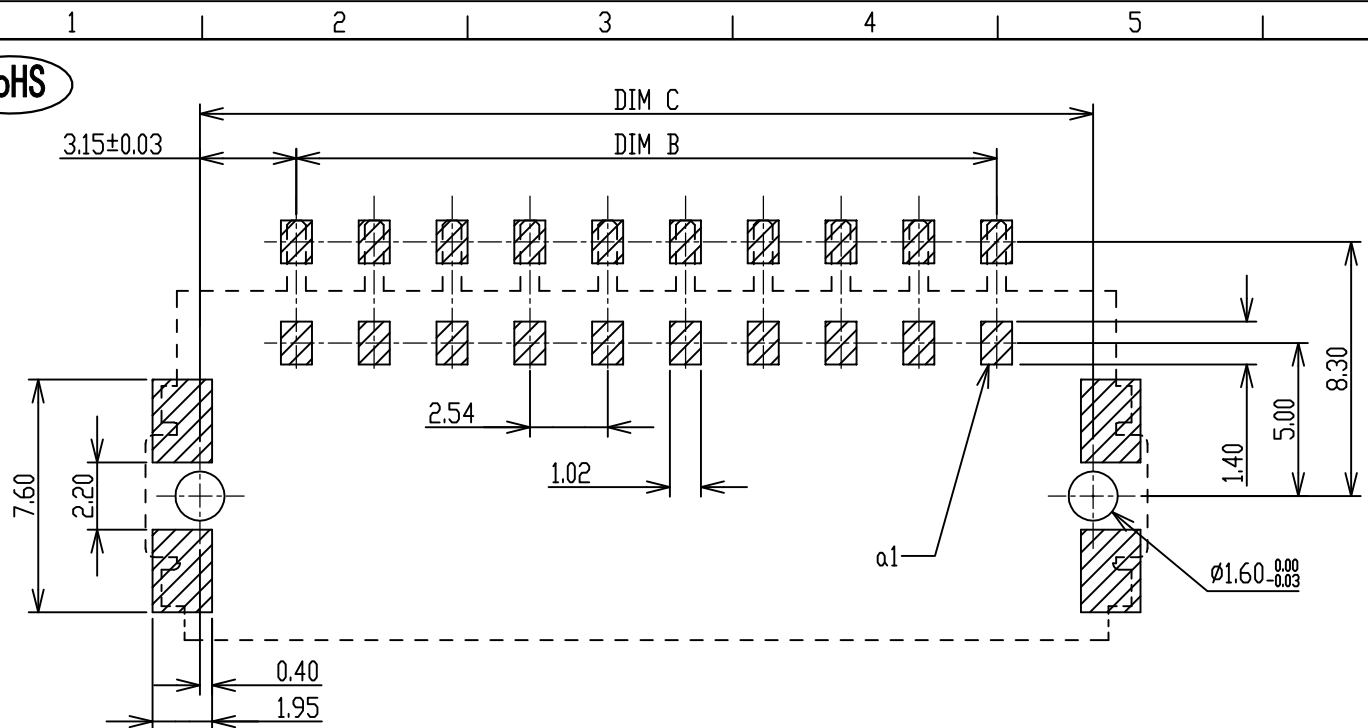


DIM A



4	HOLDDOWN	2	COPPER ALLOY
3	TERMINAL 2	No. of PIN/2	COPPER ALLOY
2	TERMINAL 1	No. of PIN/2	COPPER ALLOY
1	HOUSING	1	LCP,UL94V-0(BLACK)
ITEM	NAME	Q'TY	MATERIAL / FINISH
DRAWN	DATE	GENERAL	YXT 益鑫通精密电子有限公司 YXT Precision Electronics Co.,Ltd.
JACK XU	4/24/22'	X. ±0.38	
DESIGN	DATE	.X ±0.25	TITLE Pitch 2.54mm Double Row WTB Connector
MANGER YANG	4/24/22'	.XX ±0.13	
CHECKED	DATE	.XXX ±0.05	GENERAL TOLERANCES UNLESS OTHERWISE
MANGER YANG	4/24/22'		
APPROVED	DATE	SPECIFICATION	UNIT: mm SIZE A4 P/N WTB10-B1XXHBX0
LYG	4/24/22'		
CUSTOMER DRAWING	SHEET1	DF3	SCALE 4:1 REV. B2 DWG NO. C-WTB10-2P-01

RoHS



RECOMMENDED APPLICABLE PCB LAYOUT
GENERAL TOLERANCE:±0.05

No. of Contacts	DIM A	DIM B	DIM C
10	20.02	10.16	16.46
20	32.72	22.86	29.16
28	42.88	33.02	39.32
38	55.58	45.72	52.02

- NOTE:
- MATERIAL
 - INSULATOR: HIGHT TEMPERATURE PLASTIC, UL94V-0, BLACK COLOR.
 - CONTACT: COPPER ALLOY (PLATING SEE NOTE 4)
 - LATCH: COPPER ALLOY, TIN PLATED, NICKEL UNDERPLATED OVERALL.
 - SPECIFICATIONS:
 - CURRENT RATING:8A MAX DEPENDS ON THE CABLE.
 - WITHSTANDING VOLTAGE: 500V AC FOR A MINUTE.
 - INSULATION RESISTANCE: 100M OHMS MIN. DC 500V.
 - CONTACT RESISTANCE: 10mΩ MAX.
 - OPERATING TEMPERATURE: -40°C ~ +125°C.
 - APPLICATION:
 - MATES WITH WIRE CONNECTOR:
WTB10-W1XXHBX0(DOCUMENT NO: C-WTB10-2W-00).
 - PLATING:
 - ALL UNDERPLATED:PLATING NI
CONTACT AREA:PLATING AU 15u"
PRESSFIT AREA:PLATING Matt Sn"
 - ALL UNDERPLATED:PLATING NI
SURFACE:PLATING Matt Sn

PRODUCT NUMBER CODE

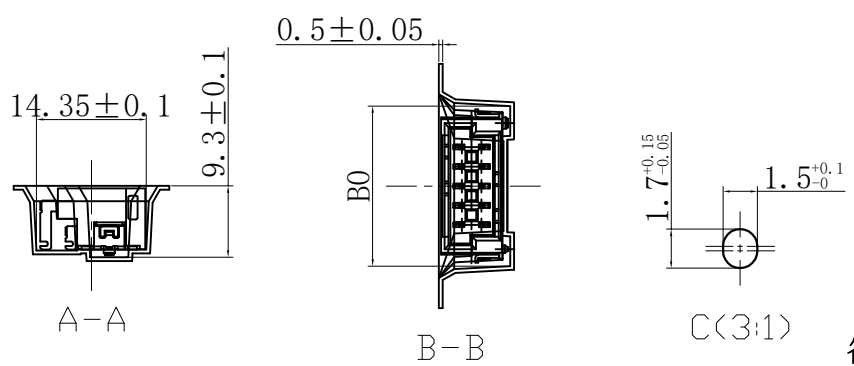
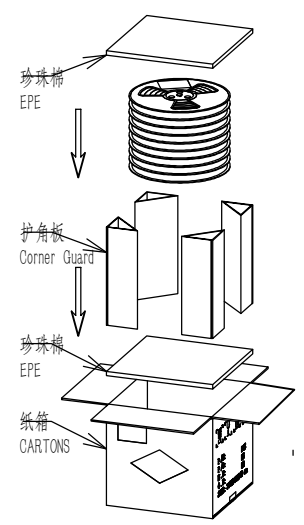
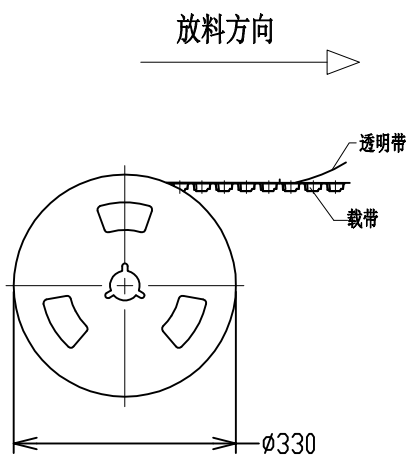
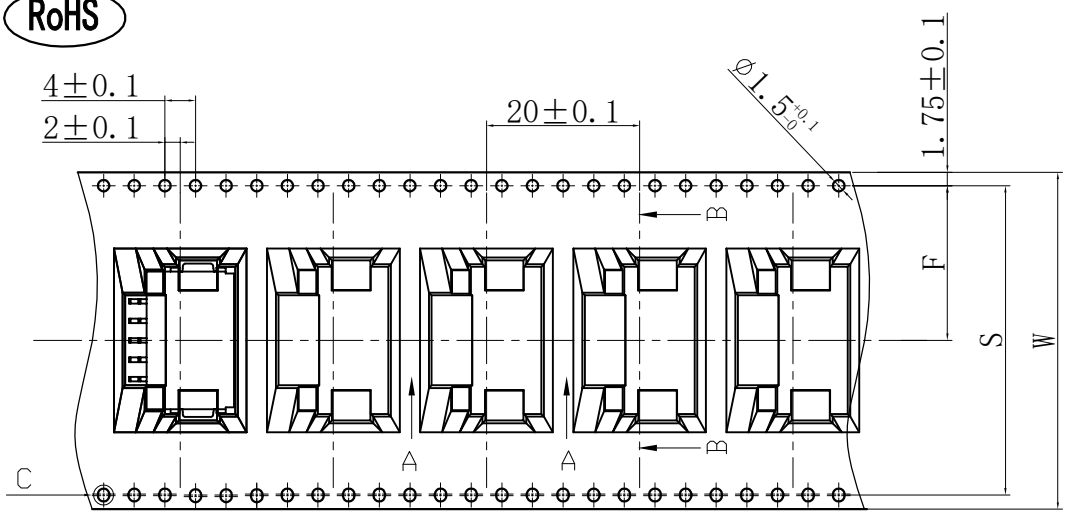
WTB10 - B 1 XX H B X 0

① ② ③ ④ ⑤ ⑥ ⑦ ⑧

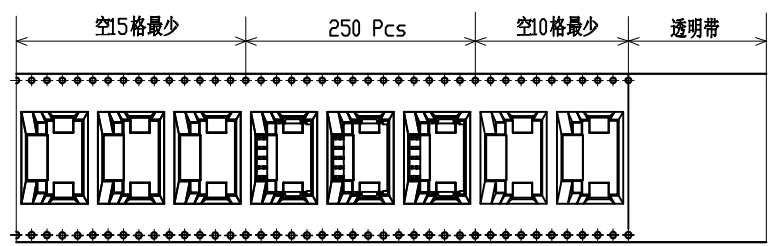
- ① PRODUCT:
WTB10 : 2.54mm DOUBLE ROW CONNECTOR
- ② TYPE 1:
B: BOARD
- ③ TYPE 2:
1: DOUBLE ROW
- ④ PRODUCT
10: 10 POSITIONS
20: 20 POSITIONS
28: 28 POSITIONS
38: 38 POSITIONS
- ⑤ PRODUCT
H: HORIZONTAL
- ⑥ COLOR
B: BLACK
- ⑦ PLATING OF TERMINAL:
0: SEE NOTE 4.1
1: SEE NOTE 4.2
- ⑧ OTHERS

DRAWN JACK XU 4/24/22'	GENERAL X. ±0.38 .X ±0.25 .XX ±0.13 .XXX ±0.05	ANGLES X° ±3.0° .X° ±2.0° .XX° ±1.0°	益鑫通精密电子有限公司 YXT Precision Electronics Co.,Ltd.
DESIGN MANGER YANG 4/24/22'	CHECKED MANGER YANG 4/24/22'	APPROVED LYG 4/24/22'	
CUSTOMER DRAWING	SHEET 2 OF 3	SCALE 4:1	UNIT: mm SIZE A4 P/N WTB10-B1XXHBX0 REV. B2 DWG NO. C-WTB10-2P-01

RoHS



	WTB10-B110HB00	WTB10-B120HB00	WTB10-B128HB00	WTB10-B138HB00
W	44.00±0.30	56.00±0.30	56.00±0.30	72.00±0.30
S	40.40±0.10	52.40±0.10	52.40±0.10	68.40±0.10
F	20.20±0.15	26.20±0.15	26.20±0.15	34.20±0.15
B0	20.92±0.10	33.62±0.10	43.78±0.10	56.48±0.10



备注：

- 10个边孔的累计公差不能超过 ±0.2mm.
- 材料规格：PS 黑色抗静电，厚度 0.5 mm.
- 载带在 250mm 长度以内最大弯曲度不超过 1mm.
- 所有尺寸设计参照 EIA-481-C-2003.
- 包装数量：250pcs/Reel
- 透明盖带使用冷封
- 外箱包装尺寸为 370mm*370mm*340mm

产品料号	包装数/REEL	包装数/外箱
WTB10-B110HB00	250	1500
WTB10-B120HB00	250	1250
WTB10-B128HB00	250	1250
WTB10-B138HB00	250	1000

DRAWN JACK XU 4/24/22'	DATE 4/24/22'	GENERAL X. ±0.38 .X ±0.25 .XX ±0.13 .XXX ±0.05	ANGLES X° ±3.0° .X° ±2.0° .XX° ±1.0°	益鑫通精密电子有限公司 YXT Precision Electronics Co., Ltd.
DESIGN MANGER YANG 4/24/22'	DATE 4/24/22'	GENERAL TOLERANCES UNLESS OTHERWISE SPECIFIED		
CHECKED MANGER YANG 4/24/22'	DATE 4/24/22'	UNIT: mm	SCALE: 4:1	TITLE Pitch 2.54mm Double Row WTB Connector
APPROVED LYG 4/24/22'	DATE 4/24/22'	SIZE A4	P/N WTB10-B1XXHBX0	REV. B2 DWG NO. C-WTB10-2P-01
CUSTOMER DRAWING SHEET 3 OF 3		SCALE 4:1	REV. B2 DWG NO. C-WTB10-2P-01	