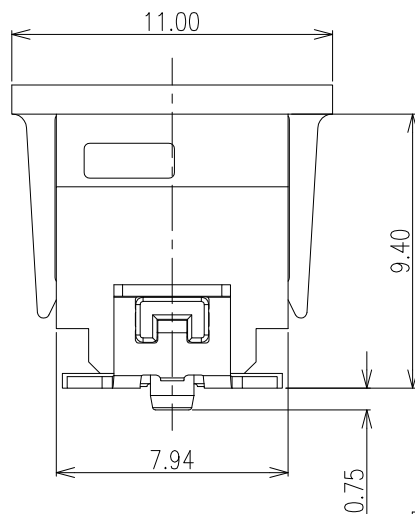
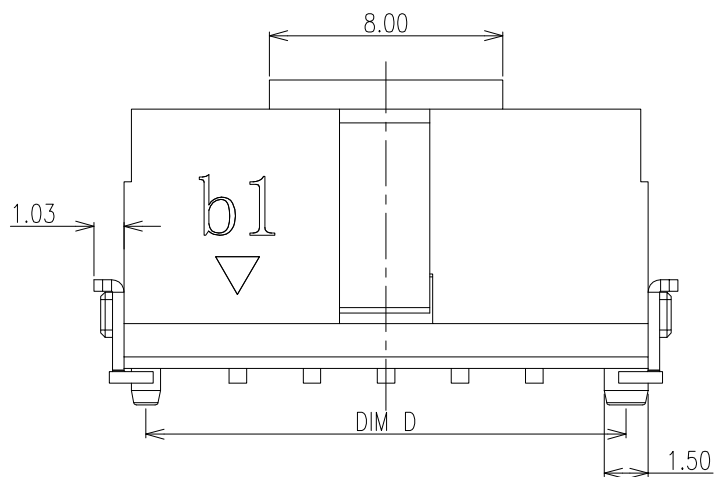
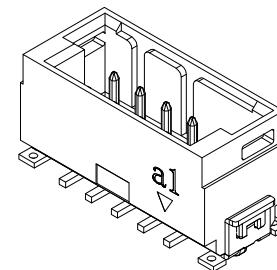
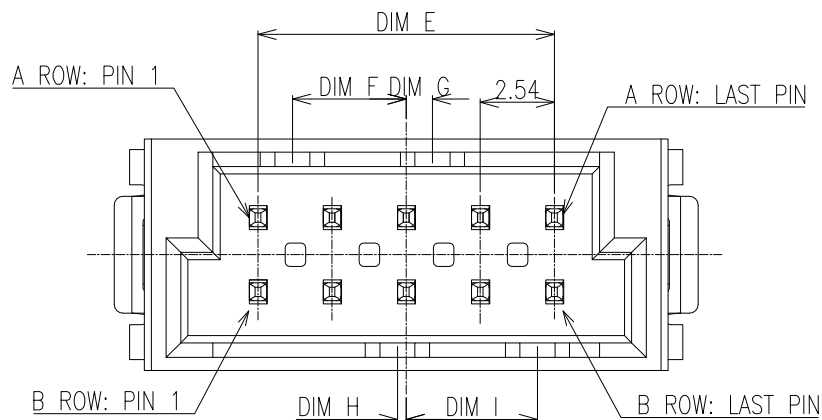
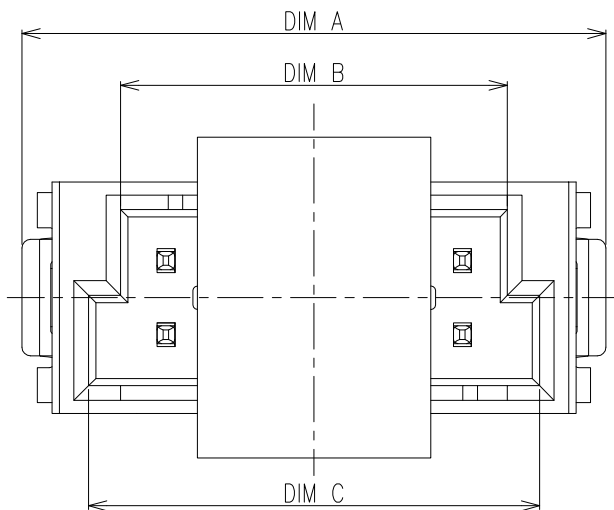

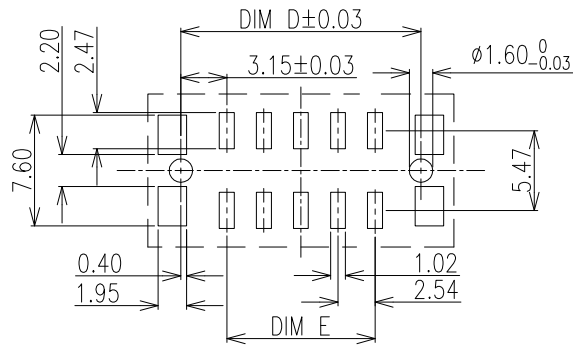


RoHS

REV.	ECR	DESCRIPTION	DATE	REVISOR	CHECKED	APPROVED
C		UPDATE DIM	02/10/2022	JACK XU	MENG YANG	DAVID WANG
D		Structure optimization	05/27/2022	JACK XU	MENG YANG	DAVID WANG



DRAWN	DATE	GENERAL	ANGLES	 YXT 益鑫通精密电子有限公司 YXT Precision Electronics Co.,Ltd.
JACK	05/27/2022	X. ±0.38	X' ±3.0°	
DESIGN	DATE	.X ±0.25	.X' ±2.0°	TITLE
JCAK	05/27/2022	.XX ±0.13	.XX' ±1.0°	
CHECKED	DATE	.XXX ±0.05		GENERAL TOLERANCES UNLESS OTHERWISE SPECIFIED
MENG YANG	05/27/2022			
APPROVED	DATE			Pitch 2.54mm Double Row WTB Connector SIZE A4 P/N WTB10-B1**y***
LYG	05/27/2022			
CUSTOMER DRAWING	SHEET 1 OF 3	UNIT: mm	SCALE 4:1	REV. D DWG NO. C-WTB10-2P-00



RECOMMENDED MOUNTING LAYOUT

POSITIONS	WTB10-B110VXOX	WTB10-B120VXXX	WTB10-B128VXXX
DIM A	20.02	32.72	42.88
DIM B	13.26	25.96	36.12
DIM C	15.46	28.16	38.32
DIM D	16.46	29.16	39.32
DIM E	10.16	22.86	33.02

POSITIONS	20 PIN TYPE A	20 PIN TYPE B	28 PIN TYPE A	28 PIN TYPE B	28 PIN TYPE C
DIM F	10.20	10.20	12.30	12.00	3.00
DIM G	1.80	9.42	2.70	3.00	12.00
DIM H	0.60	8.22	0.90	3.00	12.00
DIM I	11.40	11.40	14.10	12.00	3.00

PART NUMBER CODE

WTB10 - B 1 ** V * X X
 1 2 3 4 5 6 7 8

1.SERIES

WTB10:WIRE TO BOARD CONNECTOR,PITCH 2.54mm

2.TYPE1

B:BOARD

3.TYPE2

1:DOUBLE

4.POSITIONS

5.PRODUCT

V:VERTICAL

6.COLOR

B:BLACK

G:GREEN

Z:BROWN

N:NATURAL

7.PLATING

0: SEE NOTE 4.1

1: SEE NOTE 4.2

8.CODE

0:TYPE A

1:TYPE B

2:TYPE C

1. MATERIAL

1.1 INSULATOR: HIGHT TEMPERATURE PLASTIC, UL94V-0, BLACK COLOR.

1.2 CONTACT: COPPER ALLOY, GOLD PLATED(SEE ORDER INFORMATION) IN CONTACT AREA, MATTE-TIN PLATED IN SOLDER AREA, NICKEL UNDERPLATED OVERALL.

1.3 LATCH: COPPER ALLOY, TIN PLATED, NICKEL UNDERPLATED OVERALL.

2. SPECIFICATIONS:

2.1 CURRENT RATING:8A MAX DEPENDS ON THE CABLE.

2.2 WITHSTANDING VOLTAGE: 500V AC FOR A MINUTE.

2.3 INSULATION RESISTANCE: 100M OHMS MIN. DC 500V.

2.4 CONTACT RESISTANCE: 10mΩ MAX.

2.5 OPERATING TEMPERATURE: -40°C ~ +125°C.

3. APPLICATION:


3.1 MATES WITH WIRE CONNECTOR:

WTB10-W1XXHBX0(DOCUMENT NO:C-WTB10-2W-01).

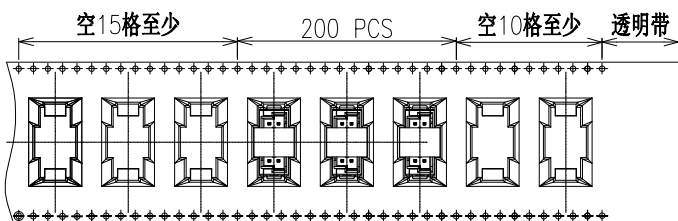
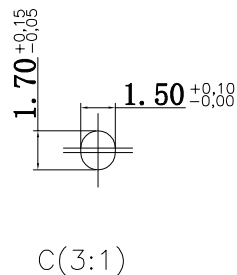
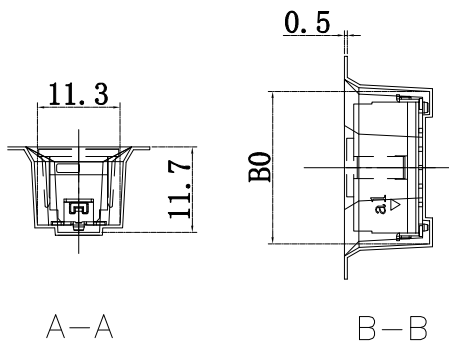
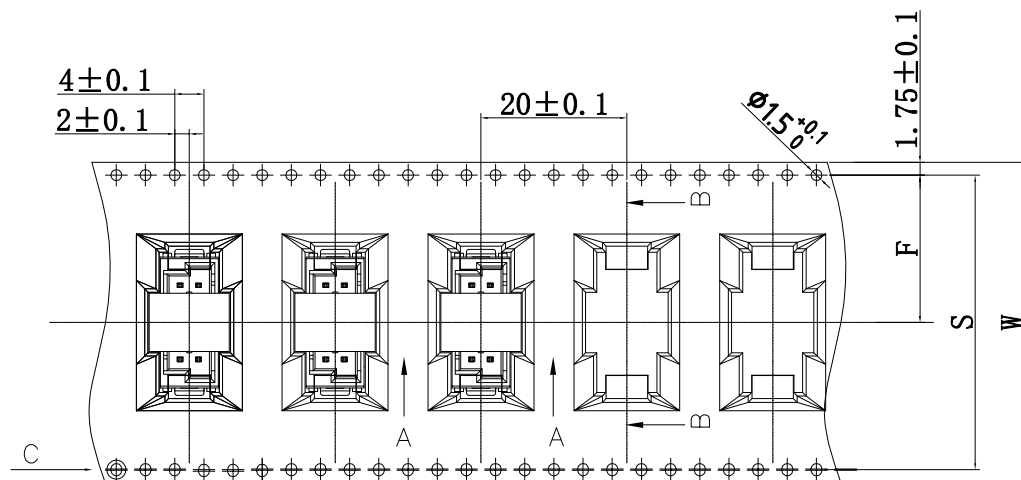
4. PLATING:

4.1 ALL UNDERPLATED:PLATING NI
 CONTACT AREA:PLATING AU 15u”
 PRESSFIT AREA:PLATING Matt Sn”

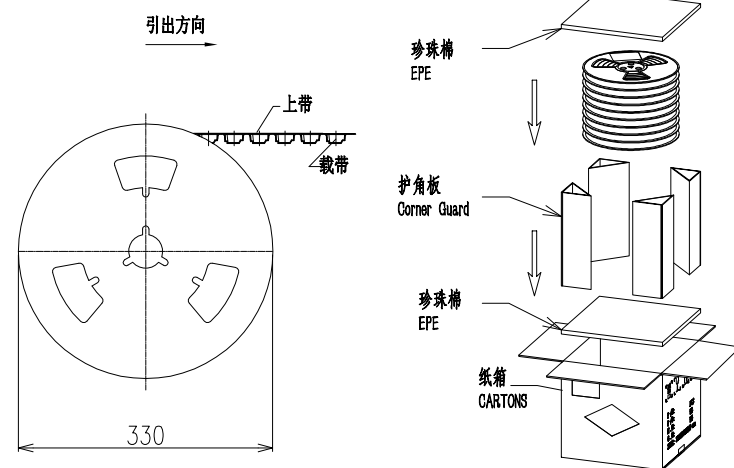
4.2 ALL UNDERPLATED:PLATING NI
 SURFACE:PLATING Matt Sn

DRAWN JACK	DATE 05/27/2022	GENERAL X. ±0.38 .X ±0.25 .XX ±0.13 .XXX ±0.05	ANGLES X° ±3.0° .X° ±2.0° .XX° ±1.0°	 YXT 益鑫通精密电子有限公司 YXT Precision Electronics Co.,Ltd.
DESIGN JCAK	DATE 05/27/2022	GENERAL TOLERANCES UNLESS OTHERWISE SPECIFIED		
CHECKED MENG YANG	DATE 05/27/2022	Pitch 2.54mm Double Row WTB Connector		TITLE
APPROVED LYG	DATE 05/27/2022	UNIT: mm	SIZE A4	P/N WTB10-B1**V***
CUSTOMER DRAWING	SHEET 2 OF 3	SCALE 2:1	REV. D	DWG NO. C-WTB10-2P-00

RoHS



产品料号	包装数/REEL	包装数/外箱
WTB10-B110VX0X	200	1200
WTB10-B120VX0X	200	1000
WTB10-B128VX0X	200	800



说明:

- 10个边孔的累计公差不能超过±0.2mm.
- 材料规格: PS 黑色抗静电, 厚度0.50 mm.
- 1.3吋卷轮包装零件总颗数:200颗..
- 所有尺寸设计参照EIA-481-C-2003.
- 载带在250mm长度以内最大弯曲度不超过1mm.
- 透明盖带使用冷封
- 外箱包装尺寸为 370mm*370mm*340mm

	WTB10-B110VBXX	WTB10-B120VBXX	WTB10-B128VXXX
W	44.00±0.30	56.00±0.30	72.00±0.30
S	40.40±0.10	52.40±0.10	68.40±0.10
F	20.20±0.15	26.20±0.15	34.20±0.15
B0	20.92±0.10	32.62±0.10	43.50±0.10

DRAWN JACK 05/27/2022	DATE 05/27/2022	GENERAL X. ±0.38 .X ±0.25 .XX ±0.13 .XXX ±0.05	ANGLES X' ±3.0° .X' ±2.0° .XX' ±1.0°	益鑫通精密电子有限公司 YXT Precision Electronics Co.,Ltd.
DESIGN JCAK 05/27/2022	DATE 05/27/2022	GENERAL TOLERANCES UNLESS OTHERWISE SPECIFIED		
CHECKED MENG YANG 05/27/2022	DATE 05/27/2022	UNIT: mm		TITLE Pitch 2.54mm Double Row WTB Connector
APPROVED LYG 05/27/2022	DATE 05/27/2022	SCALE 2:1	SIZE A4	P/N WTB10-B1**V***
CUSTOMER DRAWING	SHEET 3 OF 3	SCALE 2:1	REV. D	DWG NO. C-WTB10-2P-00