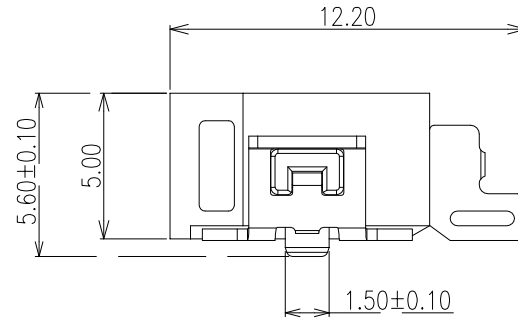
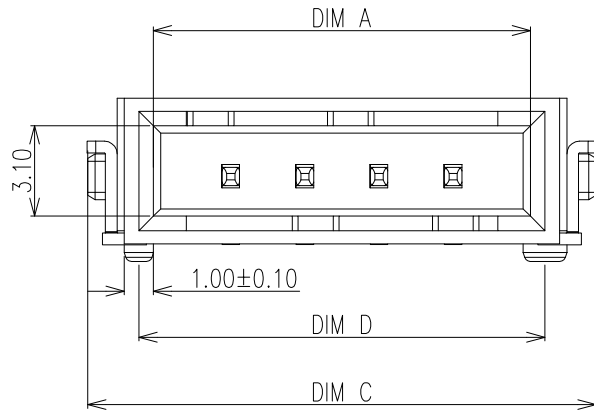
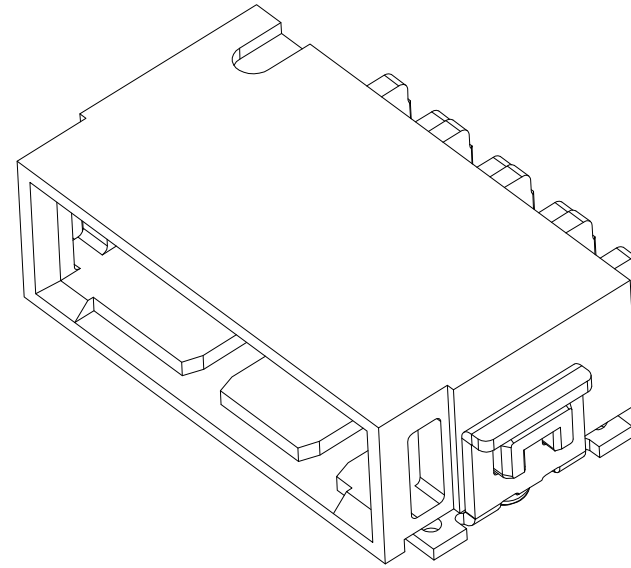
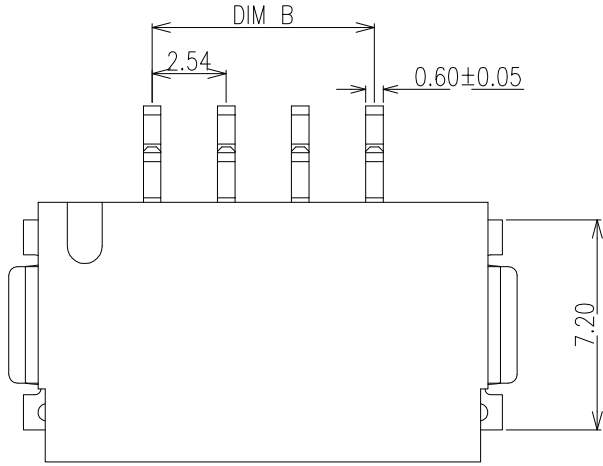

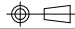


RoHS

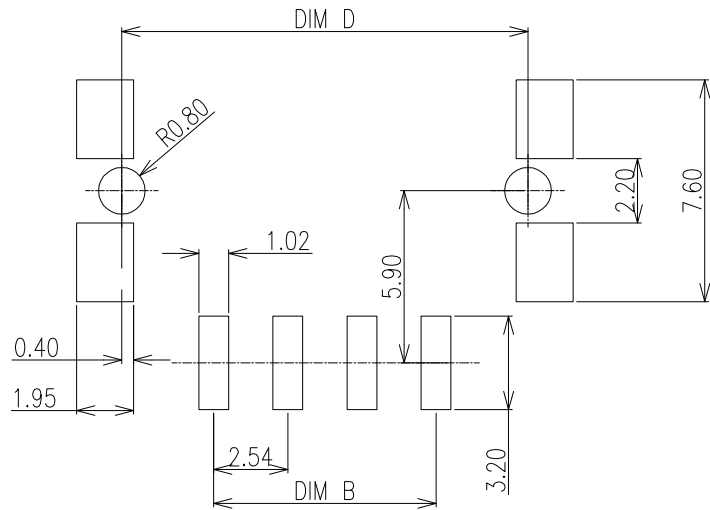
REV.	ECR	DESCRIPTION	DATE	REVISOR	CHECKED	APPROVED
A		NEW RELEASE		WDD	LW	WF
B		structure optimization	2022/05/27	JACK	MANGER	LYG



DRAWN	DATE	GENERAL	ANGLES	 <b>YXT</b> 益鑫通精密电子有限公司 YXT Precision Electronics Co.,Ltd.
JACK	2022/05/27	X. ±0.38	X' ±3.0°	
DESIGN	DATE	.X ±0.25	.X' ±2.0°	
JACK	2022/05/27	.XX ±0.13	.XX' ±1.0°	TITLE
CHECKED	DATE	.XXX ±0.05		Pitch 2.54mm Single Row WTB Connector
MANGER	2022/05/27	GENERAL TOLERANCES UNLESS OTHERWISE SPECIFIED		SIZE A4 P/N WTB10-BOXHB00
APPROVED	DATE	 UNIT: mm	SCALE 3:1	REV. B DWG NO. C-WTB10-1P-01
LYG	2022/05/27		SHEET 1 OF 3	
CUSTOMER DRAWING				

PRODUCT NUMBER CODE

WTB10 - B 0 XX H B 0 0  
 ① ② ③ ④ ⑤ ⑥ ⑦ ⑧



RECOMMENDED APPLICABLE PCB LAYOUT

ALL TOLERANCE±0.05

ITEM	DIM A(mm)	DIM B(mm)	DIM C(mm)	DIM D(mm)
2 PIN	7.84	2.54	12.40	8.84
3 PIN	10.38	5.08	14.94	11.38
4 PIN	12.92	7.62	17.48	13.92
5 PIN	15.46	10.16	20.02	16.46
6 PIN	18.00	12.70	22.56	19.00
8 PIN	23.08	17.78	27.64	24.08

① PRODUCT:  
WTB10 : 2.54mm PITCH CONNECTOR

② TYPE 1:  
B: BOARD

③ TYPE 2:  
0: SINGLE ROW

④ PRODUCT  
xx: xx POSITIONS

⑤ PRODUCT  
H:HORIZONTAL

⑥ COLOR  
B: BLACK

⑦ PLATING OF TERMINAL:  
0: SEE NOTE 4.1  
1: SEE NOTE 4.2

⑧ OTHERS:

1. MATERIAL

- 1.1 INSULATOR: HIGHT TEMPERATURE PLASTIC, UL94V-0, BLACK COLOR.
- 1.2 CONTACT: COPPER ALLOY, GOLD PLATED(SEE ORDER INFORMATION) IN CONTACT AREA, MATTE-TIN PLATED IN SOLDER AREA, NICKEL UNDERPLATED OVERALL.
- 1.3 LATCH: COPPER ALLOY, TIN PLATED, NICKEL UNDERPLATED OVERALL.

2. SPECIFICATIONS:


- 2.1 CURRENT RATING:8A MAX DEPENDS ON THE CABLE.
- 2.2 WITHSTANDING VOLTAGE: 500V AC FOR A MINUTE.
- 2.3 INSULATION RESISTANCE: 100M OHMS MIN. DC 500V.
- 2.4 CONTACT RESISTANCE: 10mΩ MAX.
- 2.5 OPERATING TEMPERATURE: -40°C ~ +125°C.

3. APPLICATION:

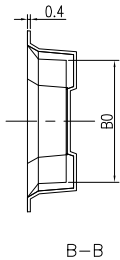
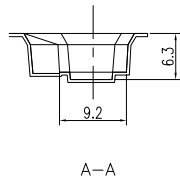
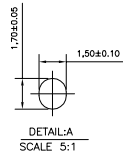
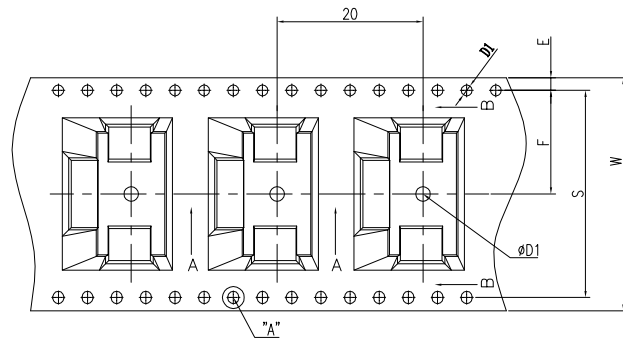
- 3.1 MATES WITH WIRE CONNECTOR:  
WTB10-WOXXHBX0(DOCUMENT NO:C-WTB10-1W-01).

4.PLATING:

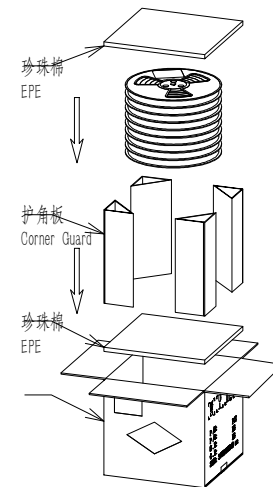
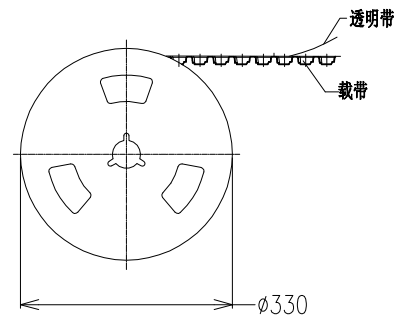
- 4.1 ALL UNDERPLATED:PLATING NI  
CONTACT AREA:PLATING AU 15u"  
PRESSFIT AREA:PLATING Matt Sn"
- 4.2 ALL UNDERPLATED:PLATING NI  
SURFACE:PLATING Matt Sn

DRAWN JACK	DATE 2022/05/27	GENERAL X. ±0.38 .X ±0.25 .XX ±0.13 .XXX ±0.05	ANGLES X°: ±3.0° .X° ±2.0° .XX° ±1.0°	 <b>YXT</b> 益鑫通精密电子有限公司 YXT Precision Electronics Co.,Ltd.
DESIGN JACK	DATE 2022/05/27	GENERAL TOLERANCES UNLESS OTHERWISE SPECIFIED		
CHECKED MANGER	DATE 2022/05/27	UNIT: mm		SIZE A4
APPROVED LYG	DATE 2022/05/27	SCALE 4:1		P/N WTB10-BOXHB00
CUSTOMER DRAWING	SHEET 2 OF 3	REV. B		DWG NO. C-WTB10-1P-01

RoHS



放料方向

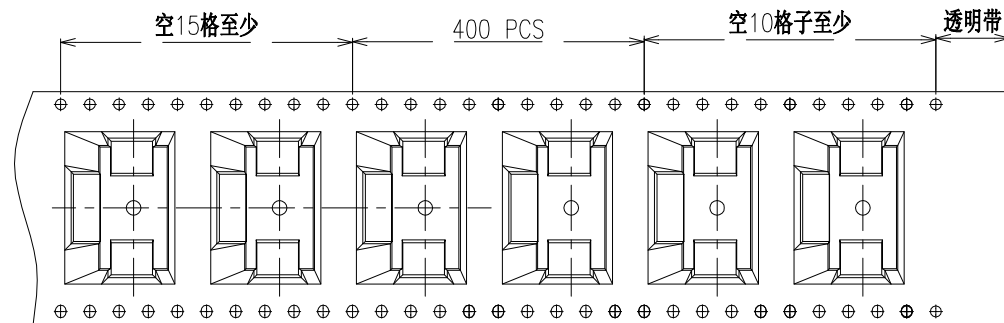


备注:

1. 10个边孔的累计公差不能超过 ±0.2mm.
2. 材料规格: PS 黑色防静电, 厚度 0.5 mm.
3. 载带在 250mm长度以内最大弯曲度不超过 1mm.
4. 所有尺寸设计参照 EIA-481-C-2003.
5. 包装数量: 400pcs/Reel
6. 透明盖带使用冷封
7. 外箱包装尺寸为 370mm\*370mm\*340mm

	WTB10-B002HB00	WTB10-B003HB00	WTB10-B004HB00	WTB10-B005HB00	WTB10-B006HB00	WTB10-B008HB00
W	24.00±0.30	32.00±0.30	32.00±0.30	44.00±0.30	44.00±0.30	44.00±0.30
S	NA	28.40±0.10	28.40±0.10	40.40±0.10	40.40±0.10	40.40±0.10
F	11.5±0.15	14.20±0.15	14.20±0.15	20.20±0.15	20.20±0.15	20.20±0.15
B0	11.64±0.10	14.18±0.10	16.72±0.10	19.26±0.10	21.80±0.10	26.88±0.10

产品料号	包装数/REEL	包装数/外箱
WTB10-B002HB00	400	4000
WTB10-B003HB00	400	3200
WTB10-B004HB00	400	3200
WTB10-B005HB00	400	2400
WTB10-B006HB00	400	2400
WTB10-B008HB00	400	2400



DRAWN JACK 2022/03/28	DATE 2022/03/28	GENERAL X. ±0.38 .X ±0.25 .XX ±0.13 .XXX ±0.05	ANGLES X'. ±3.0° .X' ±2.0° .XX' ±1.0°	益鑫通精密电子有限公司 YXT Precision Electronics Co., Ltd.
DESIGN JACK 2022/03/28	DATE 2022/03/28	GENERAL TOLERANCES UNLESS OTHERWISE SPECIFIED		
CHECKED MANGER 2022/03/28	DATE 2022/03/28	UNIT: mm	Pitch 2.54mm Single Row WTB Connector	TITLE
APPROVED LYG 2022/03/28	DATE 2022/03/28	SCALE 4:1	SIZE A4	P/N WTB10-BOXHB00
CUSTOMER DRAWING	SHEET 3 OF 3	SCALE 4:1	REV. B	DWG NO. C-WTB10-1P-01