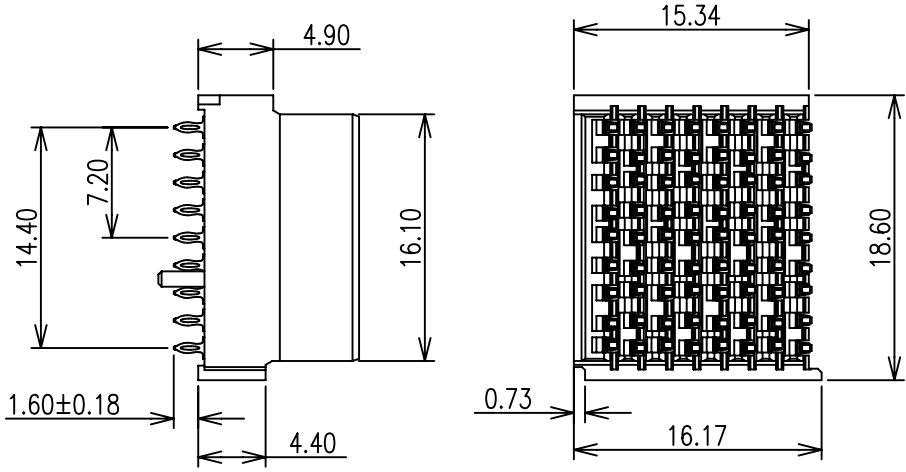
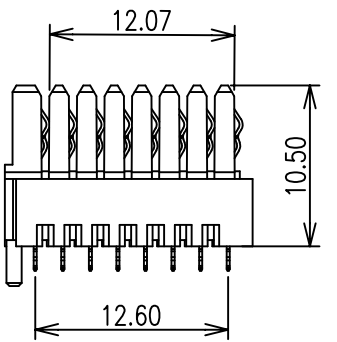
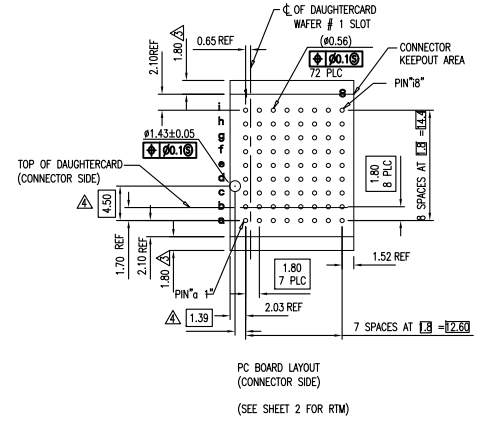


REV.	ECR	DESCRIPTION	DATE	REVISOR	CHECKED	APPROVED
A		NEW RELEASE	08/06/21'	Lucien.Lu	Seven.Yuan	Will.Gao



- △ HOUSING: LCP, UL94V0, COLOR: BLACK.
CONTACT: PHOSPHOR BRONZE.
- △ FINISH: 1.27 μm GOLD IN ALL AREA, 3.81 μm MIN. NICKEL OVER ALL.
- △ ADDITIONAL CONNECTOR-SIDE KEEPOUT AREA REQUIRED IF CONNECTOR-SIDE EXTRACTION TOOL IS TO BE USED.
- △ PLASTIC ALIGNMENT PIN MUST BE REMOVED FLUSH TO HOUSING BODY PROR TO INSERTION INTO RTM LAYOUT.



DRAWN Lucien.Lu	DATE 05/16/21'	GENERAL X. ±0.38 .X ±0.25 .XX ±0.13 .XXX ±0.05	ANGLES X' ±3.0° .X' ±2.0° .XX' ±1.0°	益鑫通精密电子有限公司 YXT Precision Electronics Co.,Ltd.
DESIGN Lucien.Lu	DATE 05/16/21'	GENERAL TOLERANCES UNLESS OTHERWISE SPECIFIDE		
CHECKED Seven.Yuan	DATE 05/16/21'	UNIT: mm	SIZE A4	P/N VPX20-1410186-1
APPROVED Will.Gao	DATE 05/16/21'	SCALE 1:1	REV. A	DWG NO. C-VPX201410186-1
CUSTOMER DRAWING	SHEET 1 OF 1			