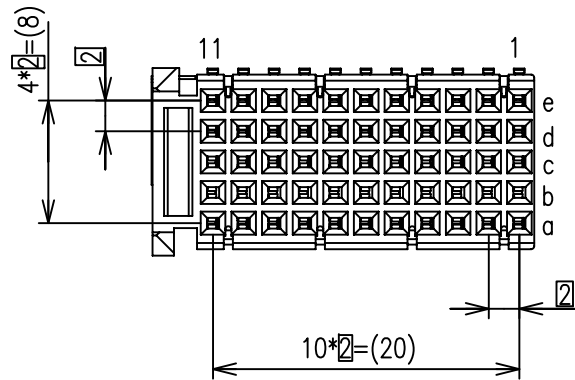
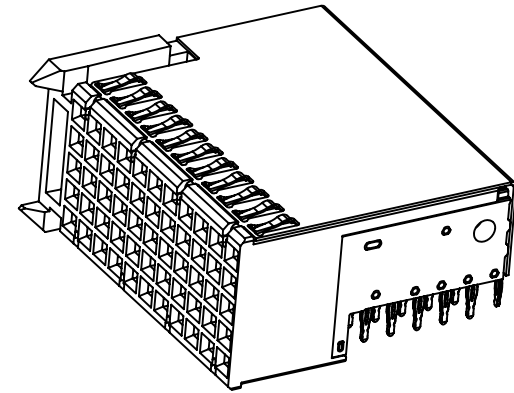
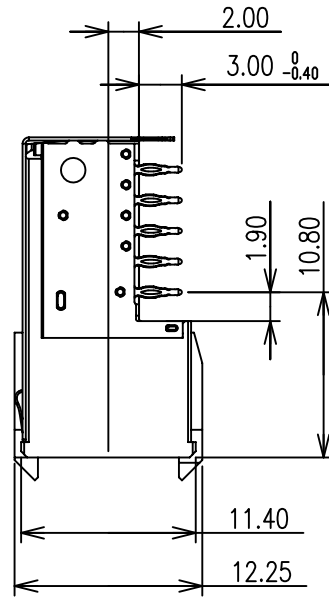
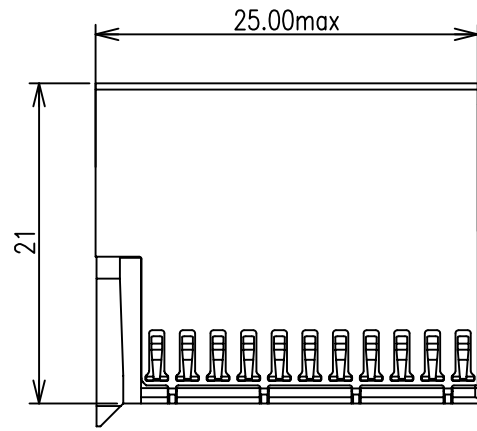

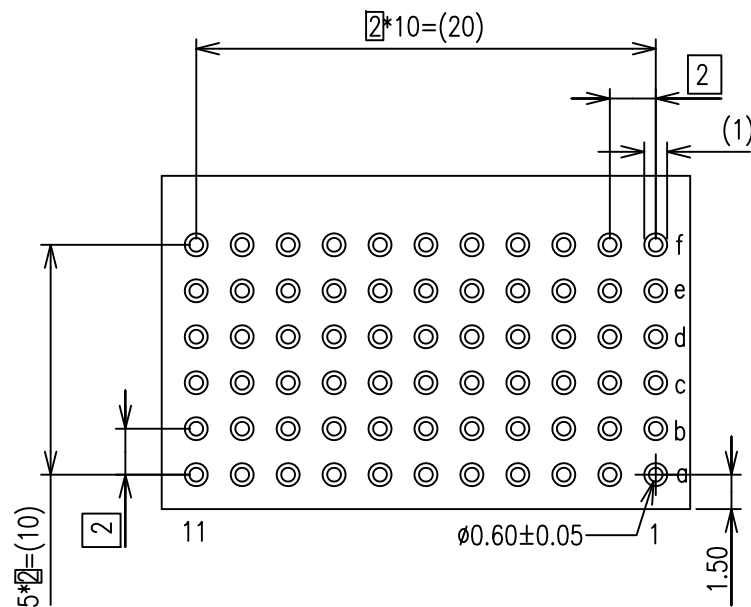


REV.	ECR	DESCRIPTION	DATE	REVISOR	CHECKED	APPROVED
A	TJECR19024	NEW RELEASE	2018/05/22	Seven.Yuan	Jason.Bian	Dickson.Guan
B	NTECR20001	NEW RELEASE	2020/04/21	Xiang.Chen	Seven.Yuan	Jason.Bian
C	ECR20014	CHANGE OF COMPANY NAME	2020/09/22	Lucien.Lu	Seven.Yuan	Jimmy.Ni



DRAWN Seven.Yuan	DATE 2018/05/22	GENERAL X. ±0.38 .X ±0.25 .XX ±0.20 .XXX ±0.05	ANGLES X°. ±3.0° .X° ±2.0° .XX° ±1.0°	 益鑫通精密电子有限公司 YXT Precision Electronics Co.,Ltd.
DESIGN Seven.Yuan	DATE 2018/05/22	GENERAL TOLERANCES UNLESS OTHERWISE SPECIFIED		
CHECKED Jason.Bian	DATE 2018/05/22	UNIT: mm		SIZE A4
APPROVED Dickson.Guan	DATE 2018/05/22	SCALE 2:1		P/N YXT-HMC-FC0550-01
CUSTOMER DRAWING		SHEET 1 OF 2		REV. C DWG NO. C-HMC-5S-02



YXT-HMC-FC 055 0 - 0 1
 1 2 3 4

- 1.TYPE
FC:FEMALE TYPE C
- 2.POSITIONS
055: 55 PINS
- 3.POST
0:WITHOUT POST
- 4.SHIELD
1:WITH SHIELD

NOTES:

1.0:RATING:

1.1:VOLTAGE:500V AC/DC

1.2:CURRENT:1.5 AMPS


1.3:OPERATION TEMPERATURE:-55°C TO +125°C

1.4:CONNECTOR PITCH:2MM

1.5:PERFORMANCE LEVEL:≥250 MATING CYCLES

1.6:PRESSFIT PIN INSERTION:0.6MM±0.05MM AFTER PLATING

1.7:FLAMMABILITY:UL94V-0

DRAWN Seven.Yuan	DATE 2020/05/22	GENERAL X. ±0.38 .X ±0.25 .XX ±0.20 .XXX ±0.05	ANGLES X' ±3.0' .X' ±2.0' .XX' ±1.0'	 益鑫通精密电子有限公司 YXT Precision Electronics Co.,Ltd.
DESIGN Seven.Yuan	DATE 2020/05/22	GENERAL TOLERANCES UNLESS OTHERWISE SPECIFIED		
CHECKED Jason.Bian	DATE 2020/05/22	UNIT: mm		TITLE 2mm HARD METRIC FEMALE TYPE C 55 Pin CONNECTOR
APPROVED Dickson.Guan	DATE 2020/05/22	SCALE: 2:1	SIZE A4	P/N YXT-HMC-FC0550-01
CUSTOMER DRAWING		SHEET 2 OF 2	REV. C	DWG NO. C-HMC-5S-02