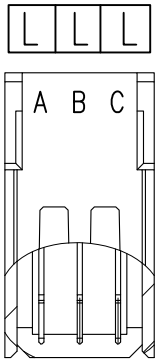
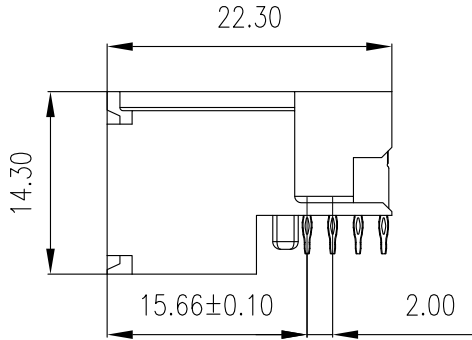
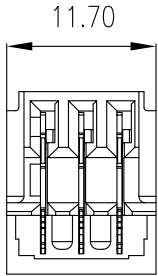


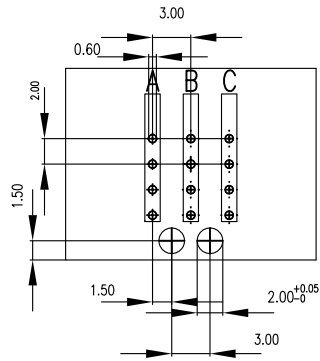
1 2 3 4 5 6 7 8

REV.	ECR	DESCRIPTION	DATE	REVISOR	CHECKED	APPROVED
A		NEW RELEASE	2019/02/21	Tyler.Liu	Jason.Bian	Dickson.Guan
B	ECR20014	CHANGE OF COMPANY NAME	2020/08/14	Lucien.Lu	Seven.Yuan	Seven.Yuan



TERMINAL IS ARRANGED	
YXT-BRC-MR0031-10	L L L
YXT-BRC-MR0032-10	L M L
YXT-BRC-MR0033-10	M L M
YXT-BRC-MR0034-10	M L S

DRAWN Tyler.Liu	DATE 2019/02/21	GENERAL X. ±0.38 .X ±0.25 .XX ±0.20 .XXX ±0.05	ANGLES X° ±3.0° .X° ±2.0° .XX° ±1.0°	益鑫通精密电子有限公司 YXT Precision Electronics Co.,Ltd.
DESIGN Tyler.Liu	DATE 2019/02/21			
CHECKED Jason.Bian	DATE 2019/02/21	GENERAL TOLERANCES UNLESS OTHERWISE SPECIFIDE		UNIT: mm
APPROVED Dickson.Guan	DATE 2019/02/21		UNIT: mm	SIZE A4
CUSTOMER DRAWING	SHEET 1 OF 2	SCALE 1:1	REV. B	P/N YXT-BRC-MR003X-10
			DWG NO. C-BRC-3P-00	



Ø0,6±0,05 Diameter of finished plated-through hole

NOTES:

1.0:RATING:

1.1:VOLTAGE:The permissible operating voltages depend on customer application and on the applicable or specified safety requirements.

1.2:CURRENT:10.56 A Per(20°C)

1.3>Contact resistance: 5 mΩ Max

1.4:OPERATION TEMPERATURE:-55°C TO +125°C

1.5:CONNECTOR PITCH:2.0MM

1.6:PERFORMANCE LEVEL:≥500 MATING CYCLES


1.7:FLAMMABILITY:UL94V-0

Coding principle:

YXT-BRC - M R 003 X - 1 0
 1 2 3 4 5 6

Series name:2MM Hard metric Battery connector

- 1 M: MALE
- 2 R:Right angle
- 3 003:Position 3
- 004:Position 4
- 005:Position 5
- 006:Position 6
- 007:Position 7
- 4 1:Terminal is arranged-L L L
- 2:Terminal is arranged-L M L
- 3:Terminal is arranged-M L M
- 4:Terminal is arranged-M L S
- 5 1:With POST||
- 6 0:Without shield

DRAWN Tyler.Liu	DATE 2019/02/21	GENERAL X. ±0.38 .X ±0.25 .XX ±0.20 .XXX ±0.05	ANGLES X° ±3.0° .X° ±2.0° .XX° ±1.0°	 益鑫通精密电子有限公司 YXT Precision Electronics Co.,Ltd.	
DESIGN Tyler.Liu	DATE 2019/02/21	GENERAL TOLERANCES UNLESS OTHERWISE SPECIFIDE			TITLE 2MM PITCH POWER MODULE
CHECKED Jason.Bian	DATE 2019/02/21	UNIT: mm	SIZE A4	P/N YXT-BRC-MR003X-10	
APPROVED Dickson.Guan	DATE 2019/02/21	SCALE 1:1	REV. B	DWG NO. C-BRC-3P-00	
CUSTOMER DRAWING		SHEET 2 OF 2			