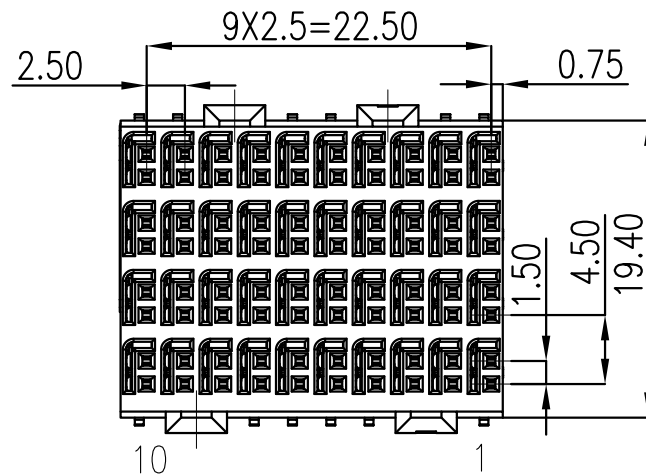
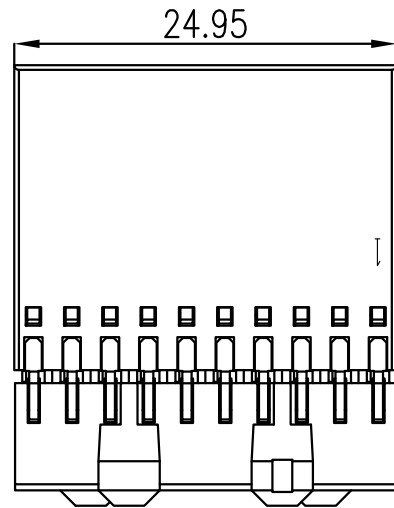
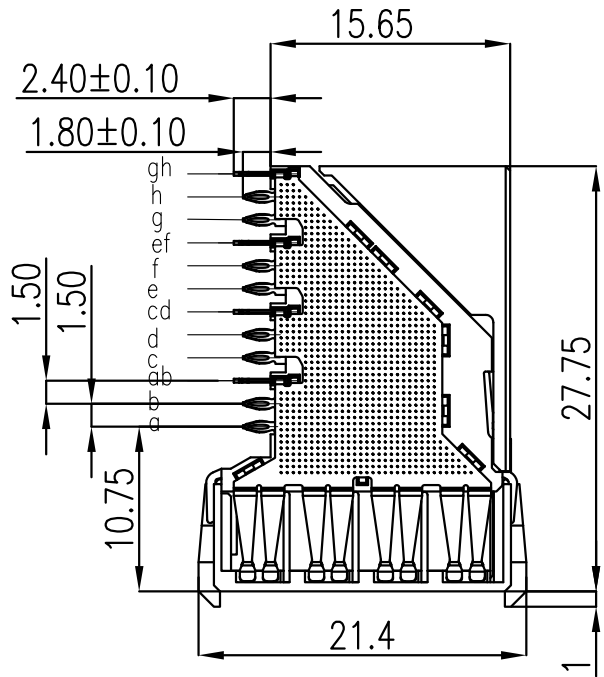

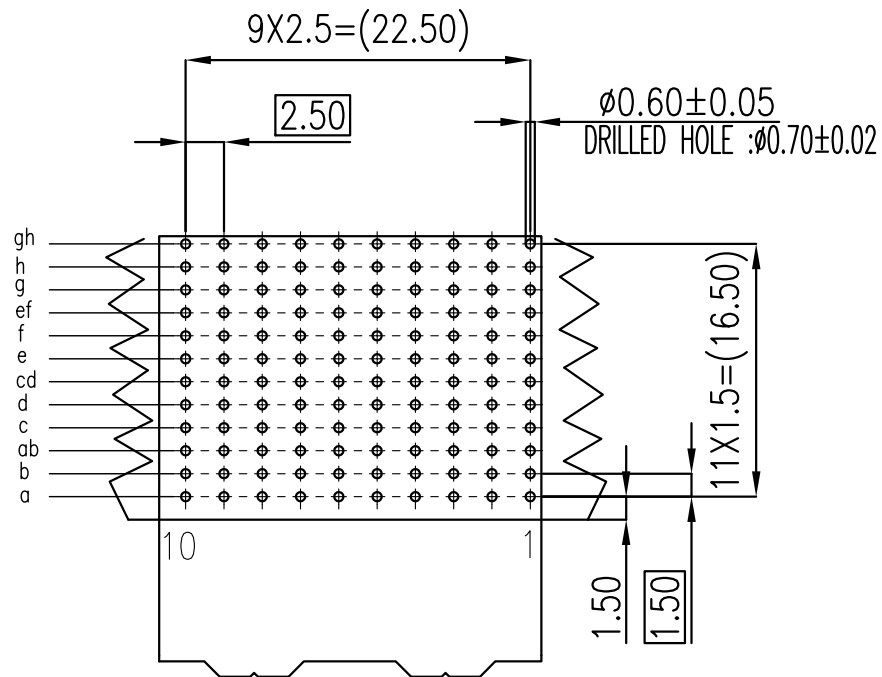


1 2 3 4 5 6 7 8

REV.	ECR	DESCRIPTION	DATE	REVISOR	CHECKED	APPROVED
A		NEW RELEASE	2018/06/21	Snake.Sun	Jason.Bian	Dickson.Guan
B	NTECR20002	NEW RELEASE	2020/05/06	Jim.Wang	Jason.Bian	Dickson.Guan
C	ECR20014	CHANGE OF COMPANY NAME	2020/08/13	Lucien.Lu	Seven.Yuan	Seven.Yuan




DRAWN	DATE	GENERAL	ANGLES	 YXT 益鑫通精密电子有限公司 YXT Precision Electronics Co.,Ltd.
Snake.Sun	2018/06/21	X. ±0.38	X'. ±3.0°	
DESIGN	DATE	.X ±0.25	.X' ±2.0°	
Snake.Sun	2018/06/21	.XX ±0.20	.XX' ±1.0°	TITLE
CHECKED	DATE	.XXX ±0.05		ZD CONNECTOR 4-10
Jason.Bian	2018/06/21			GENERAL TOLERANCES
APPROVED	DATE			UNLESS OTHERWISE SPECIFIED
Dickson.Guan	2018/06/21			UNIT: mm
CUSTOMER DRAWING				SCALE: 2:1
				SIZE A4
				P/N YXT-ZDC-FR0800-01
				REV. C
				DWG NO. C-ZDC-4S-00



PCB LAYOUT

YXT-ZDC-F R 080 0-0 1
 1 2 3 4 5 6 7

- 1. PRODUCT
ZD CONNECTOR
- 2. TYPE
F: FEMALE
- 3. PRODUCT
R: BEND TYPE
- 4. POSITIONS
080:80 POSITIONS
- 5. TERMINAL
0: NO SPECIAL TERMINAL
- 6. POST
0: WITHOUT POST
- 7. SHIELD
1: WITH SHIELD

DRAWN Snake.Sun 2018/06/21	DATE 2018/06/21	GENERAL .X ±0.38 .X ±0.25 .XX ±0.20 .XXX ±0.05	ANGLES X' ±3.0' .X' ±2.0' .XX' ±1.0'	 益鑫通精密电子有限公司 YXT Precision Electronics Co.,Ltd.
DESIGN Snake.Sun 2018/06/21	DATE 2018/06/21	GENERAL TOLERANCES UNLESS OTHERWISE SPECIFIED		
CHECKED Jason.Bian 2018/06/21	DATE 2018/06/21	UNIT: mm		TITLE ZD CONNECTOR 4-10
APPROVED Dickson.Guan 2018/06/21	DATE 2018/06/21	SCALE: 2:1	SIZE A4	P/N YXT-ZDC-FR0800-01
CUSTOMER DRAWING	SHEET 2 OF 2	SCALE: 2:1	REV. C	DWG NO. C-ZDC-4S-00