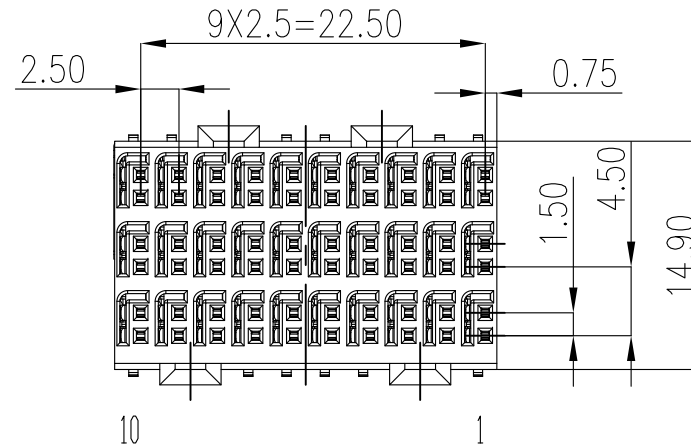
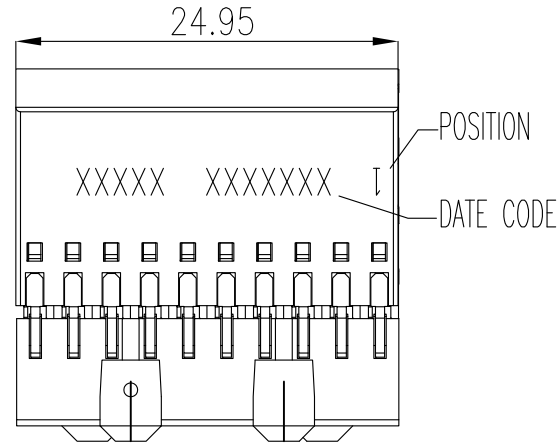
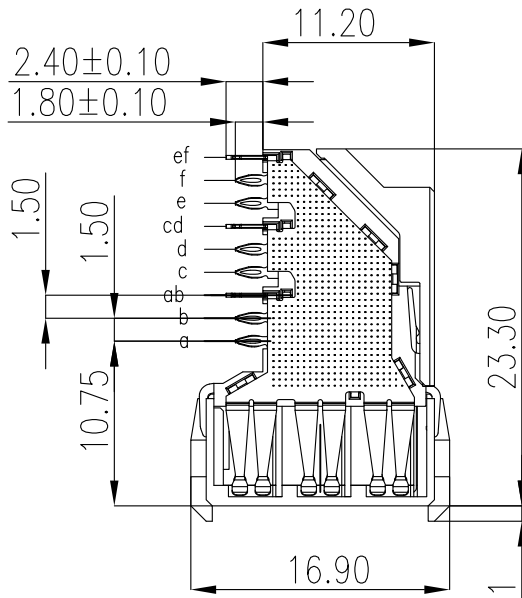

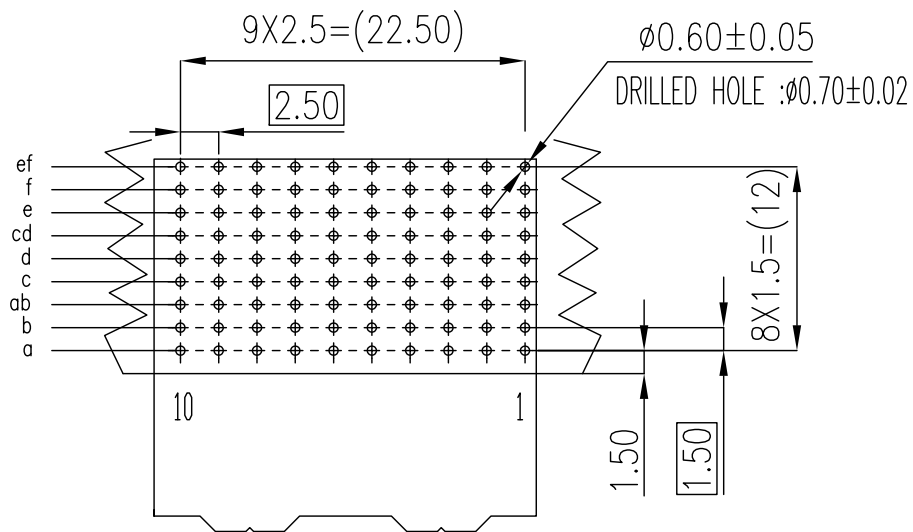


REV.	ECR	DESCRIPTION	DATE	REVISOR	CHECKED	APPROVED
A	TJECR18011	NEW RELEASE	2018/06/21	Jim.Wang	Jason.Bian	Dickson.Guan
B	ECR20014	CHANGE OF COMPANY NAME	2020/09/22	Lucien.Lu	Seven.Yuan	Jimmy.Ni



DRAWN	DATE	GENERAL X. ±0.38 .X ±0.25 .XX ±0.20 .XXX ±0.05	ANGLES X° ±3.0° .X° ±2.0° .XX° ±1.0°	 YXT 益鑫通精密电子有限公司 YXT Precision Electronics Co.,Ltd.	
DESIGN	DATE				
CHECKED	DATE				
APPROVED	DATE	GENERAL TOLERANCES UNLESS OTHERWISE SPECIFIED		TITLE	
CUSTOMER DRAWING		UNIT: mm	SCALE: 2:1	SIZE A4	P/N YXT-ZDC-FR0600-01
		SHEET 1 OF 2		REV. B	DWG NO. C-ZDC-3S-00



PCB LAYOUT

YXT-ZDC - F R 060 0-0 1
 1 2 3 4 5 6 7

1.PRODUCT
 ZD CONNECTOR

2.TYPE
 F:FEMALE


3.PRODUCT
 R:BEND TYPE

4.POSITIONS
 060:60 POSITIONS

5.TERMINAL
 0:NO SPECIAL TERMINAL

6.POST
 0:WITHOUT POST

7.SHIELD
 1:WITH SHIELD

DRAWN Jim.Wang	DATE 2018/06/21	GENERAL X. ±0.38 .X ±0.25 .XX ±0.20 .XXX ±0.05	ANGLES X° ±3.0° .X° ±2.0° .XX° ±1.0°	 益鑫通精密电子有限公司 YXT Precision Electronics Co.,Ltd.	
DESIGN Jim.Wang	DATE 2018/06/21				
CHECKED Jason.Bian	DATE 2018/06/21	GENERAL TOLERANCES UNLESS OTHERWISE SPECIFIDE		SIZE A4	P/N YXT-ZDC-FR0600-01
APPROVED Dickson.Guan	DATE 2018/06/21	UNIT: mm	SCALE 2:1	REV. B	DWG NO. C-ZDC-3S-00
CUSTOMER DRAWING		SHEET 2 OF 2			